

1 2 3 4 5 6

A

B

C

D

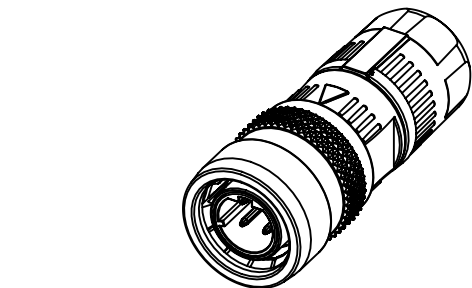
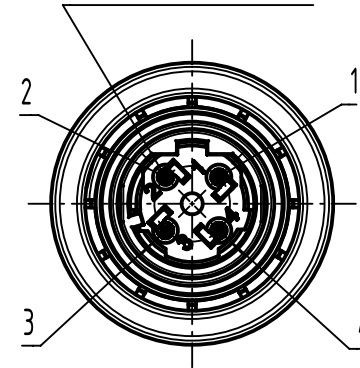
length when assembled app. 47

A (2:1)
contact face acc. to
IEC 61076-2-101

PushPull acc. to
IEC 61076-2-010

SW14
width across
flats: 14

SW15
width across
flats: 15



conductor cross section	AWG26
cable outside diameter	5,7 - 8,8mm

	All rights reserved Department EL PD	All Dimensions in mm Original Size DIN A4			Scale 1:1	Free size tol.		Ref. Sub.		
		Created by SERBANA	Inspected by FARCASIU	Standardisation RUETERA	Date 2023-07-07	State Final Release				
HARTING D-32339 Espelkamp		Title M12-PP-CC-IDC-4P-DCOD-M-STR-SHLD					Doc-Key / ECM-Nr. 100730360/UGD/001/G 500000240337			
		Type TB	Number 21033821411			Rev. G	Page 1/1			