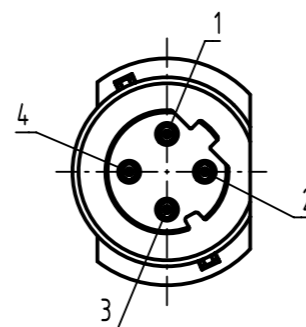
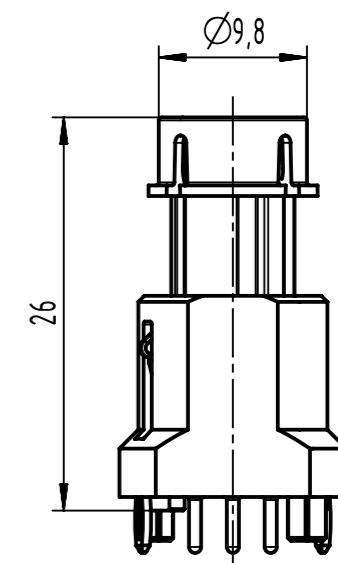


contact face based on
IEC 61076-2-101

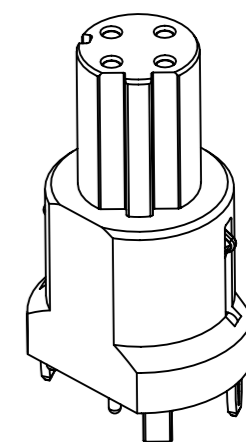
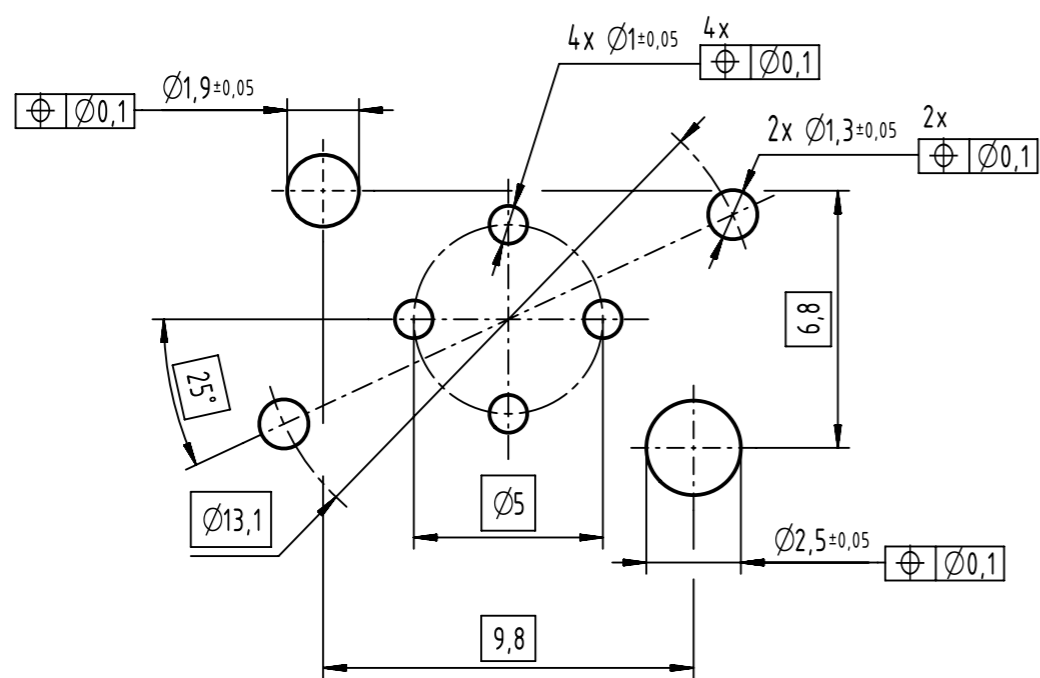


view with pick&place-cap



recommended PCB layout

(5:1)



- 60 pcs. tray package

	All rights reserved Department EL PD	Created by DYCKC	Inspected by 104122	Standardisation 302077	Date 2021-01-21	State Final Release	Ref. Sub.
	HARTING D-32339 Espelkamp	Title HARTING M12 PCB receptacle female D-coded 4-pole				Doc-Key / ECM-Nr. 100223305/UGD/002/E 500000187262	
		Type TB	Number 21033812418		Rev. E	Page 1/1	