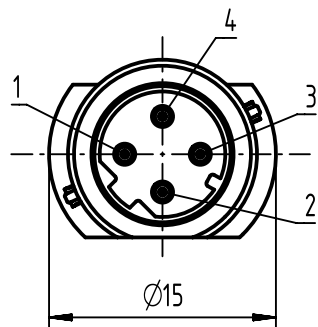
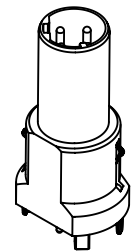
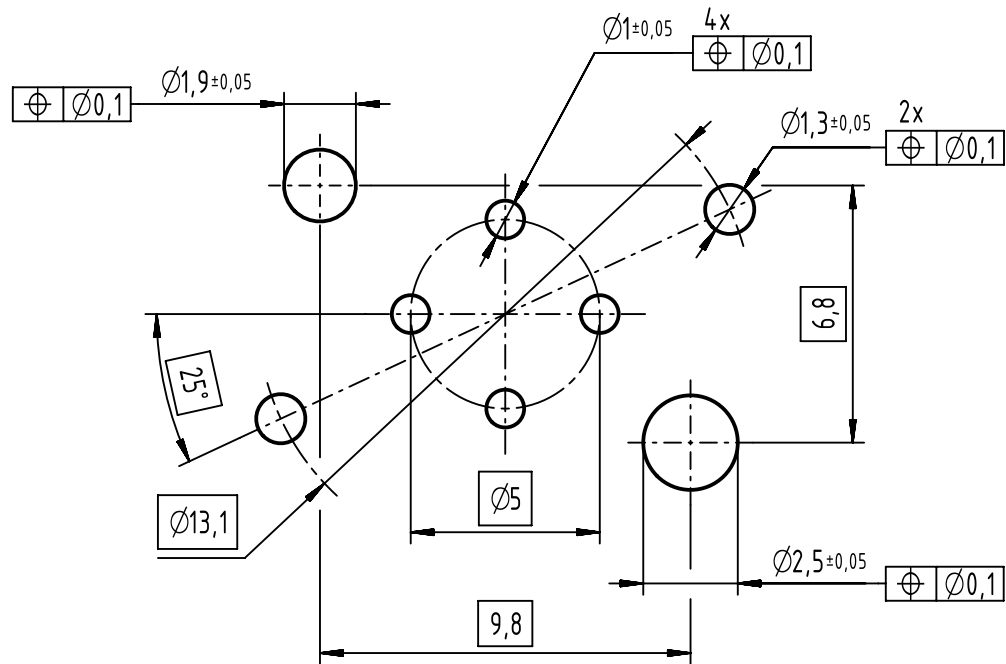



contact face based on  
IEC 61076-2-101



### A (5:1) recommended PCB-layout



- 60 pcs. tray package

	All rights reserved Department EC PD - DE	All Dimensions in mm Original Size DIN A4		Scale 2:1	Free size tol.	Ref. Sub. TB 21033811418 B 500000081016 2014-10-30	
		Created by DYCKC	Inspected by EISFELD	Standardisation HOFFMANN	Date 2015-06-02	State Final Release	
HARTING Electronics GmbH D-32339 Espelkamp		Title HARTING M12 PCB receptacle male D-coded 4-pole				Doc-Key / ECM-Nr. 100215335/UGD/002/C 500000089558	
		Type TB	Number 21033811418			Rev. C	Page 1/1