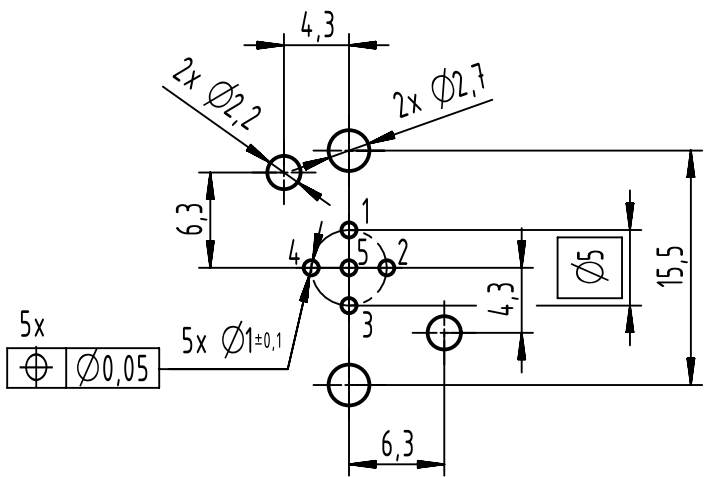
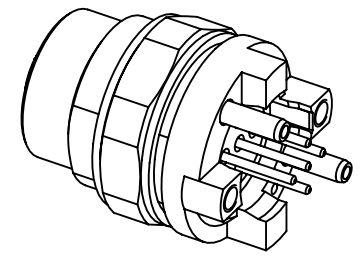
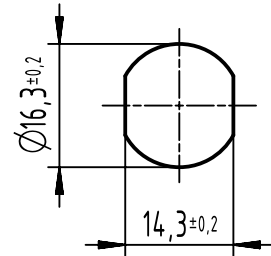


PCB layout



panel cut out (1:1)



1 top surface PCB

recommended PCB-thickness: 1.6mm

	All Dimensions in mm Original Size DIN A4		Scale 2:1	Free size tol.	Ref.
			Created by BUSSMANN	Inspected by HASSEBROCKS	Standardisation
		All rights reserved Department EL PD	Date 2023-03-28		State Final Release
		Title M12-PCB-THR-1PC-5P-ACOD-F-STR			Doc-Key / ECM-Nr. 100196074/UGD/003/G 500000240373
		Type TB	Number 21033216510		Rev. G
		D-32339 Espelkamp			Page 1/1