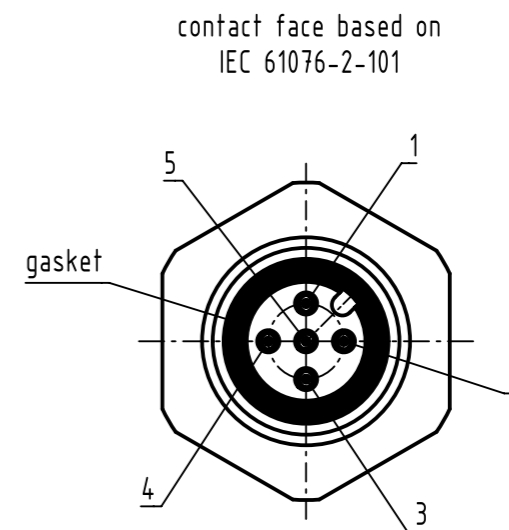
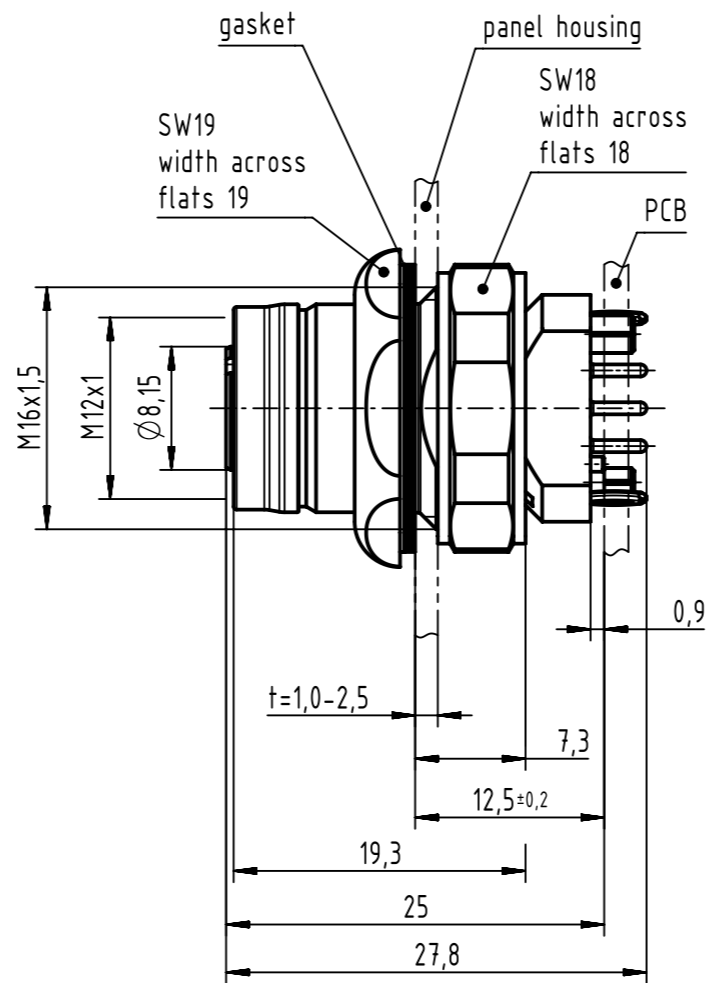
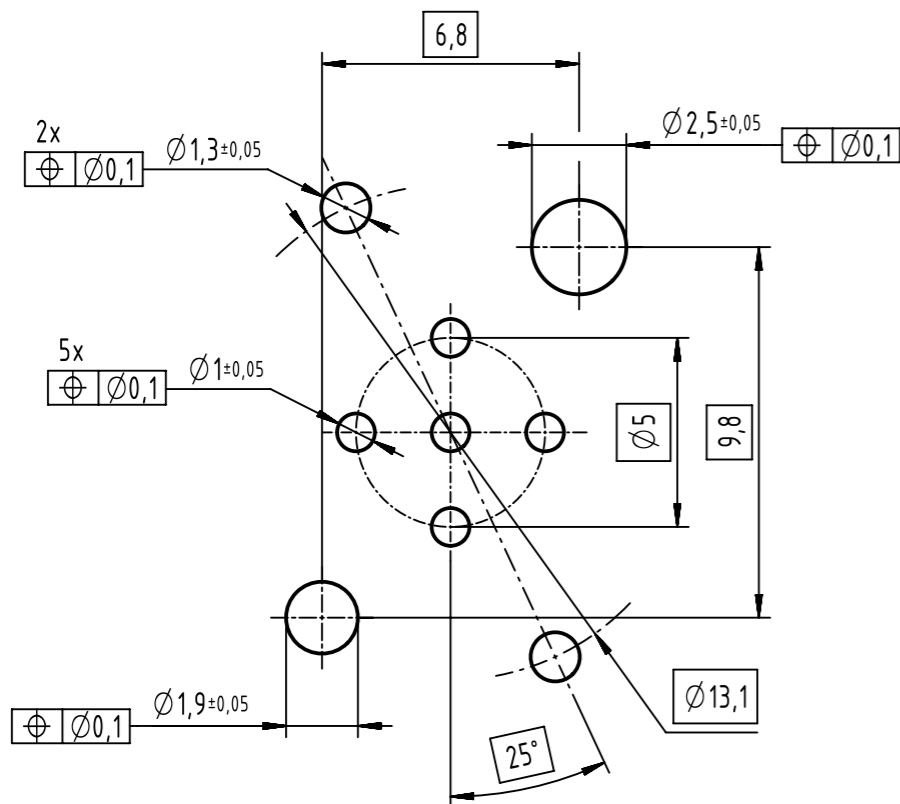
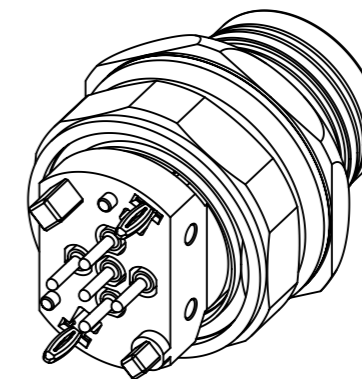
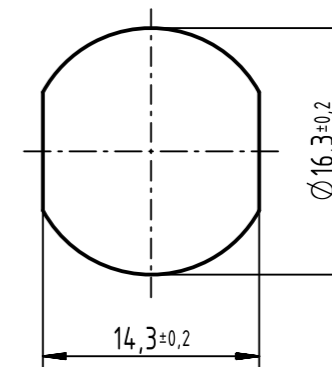


A (5:1)
recommended PCB-layout



panel cut out



- 1 pcs. single package

| | | | | | |
|---|---|--|--------------------------|---------------------------|--|
| | All rights reserved Department EC PD - DE | All Dimensions in mm Original Size DIN A3 | Scale 2:1 | Free size tol. | Ref. Sub. |
| | HARTING Electronics GmbH D-32339 Espelkamp | Created by STORCK | Inspected by WELLMANN | Standardisation KOHLER | Date 2015-08-04 |
| Title HARTING M12 PCB receptacle female A-coded 5-pole front | | | | | State Final Release |
| Type TB | | Number 21033212531 | | | Doc-Key / ECM-Nr. 10056774/UGD/000/E 50000092599 |
| | | | | Rev. E | Page 1/1 |