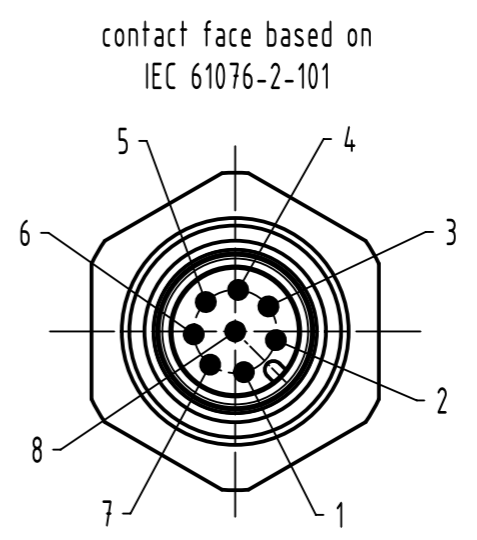
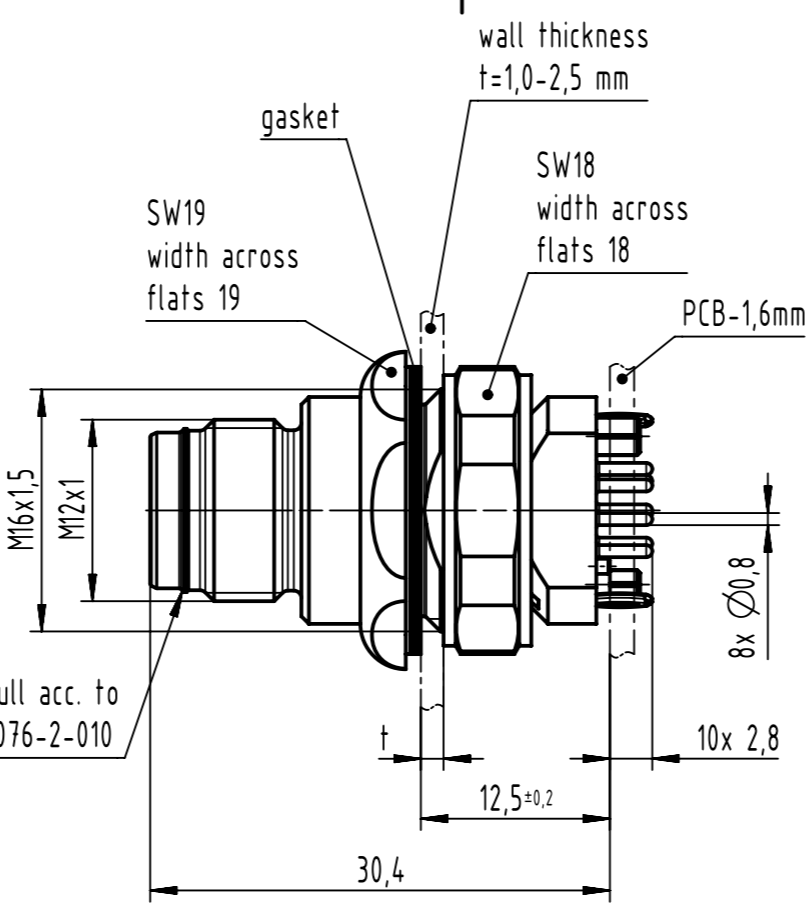
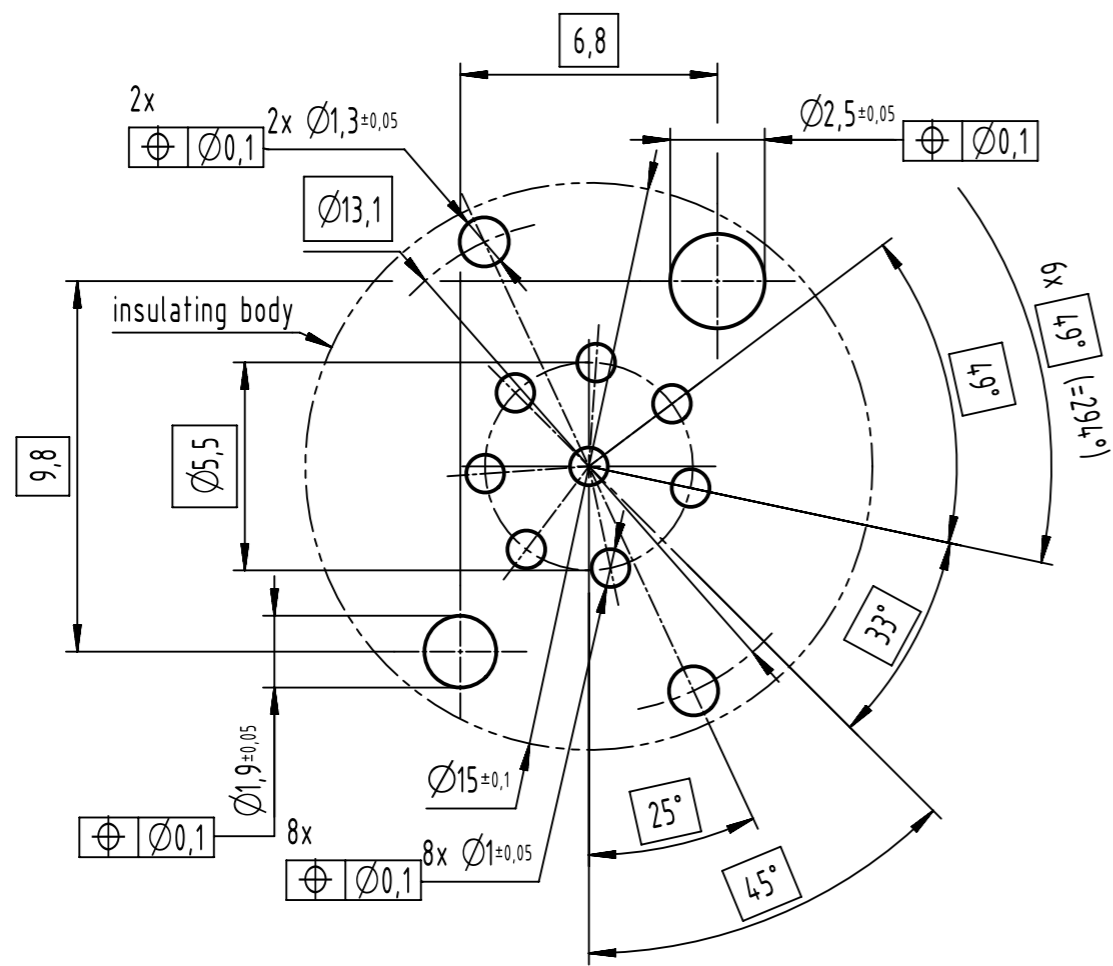
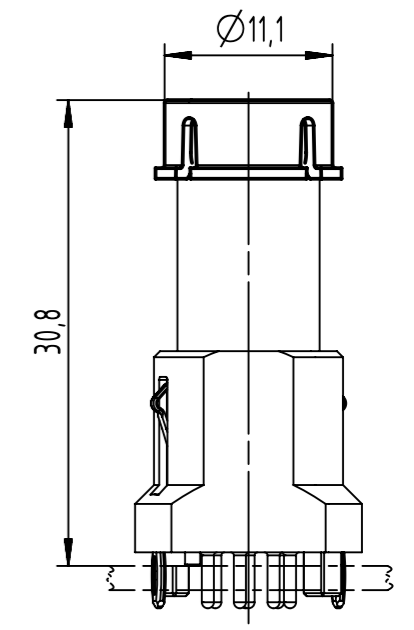


recommended PCB-layout
A (5:1)

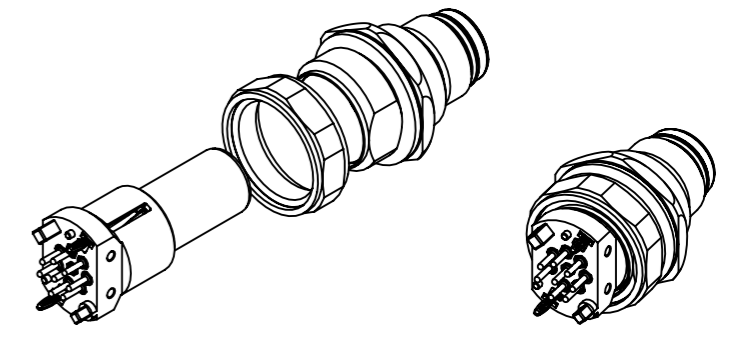
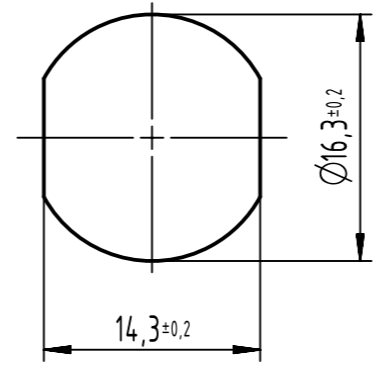
PushPull acc. to
IEC 61076-2-010



view with pick&place-cap



panel cut out



- 500 mating cycles acc.to IEC 60512-9-1
- design for reflow soldering
- 1 pcs. single package

	All rights reserved Department EL PD	Created by 407787	Inspected by 104122	Standardisation	Date 2022-11-25	State Final Release	Ref. Sub.
	HARTING D-32339 Espelkamp	Title M12-PCB-THR-2PC-8P-ACOD-M-STR-SHLD		Type TB		Number 21033211831	Doc-Key / ECM-Nr. 100569978/UGD/000/D 50000229676 Rev. D Page 1/1