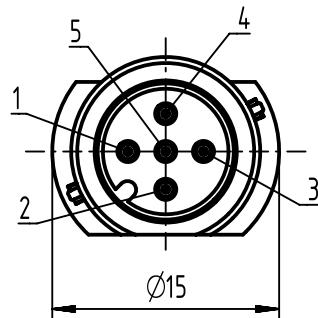
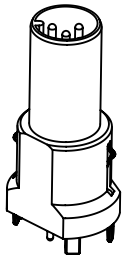
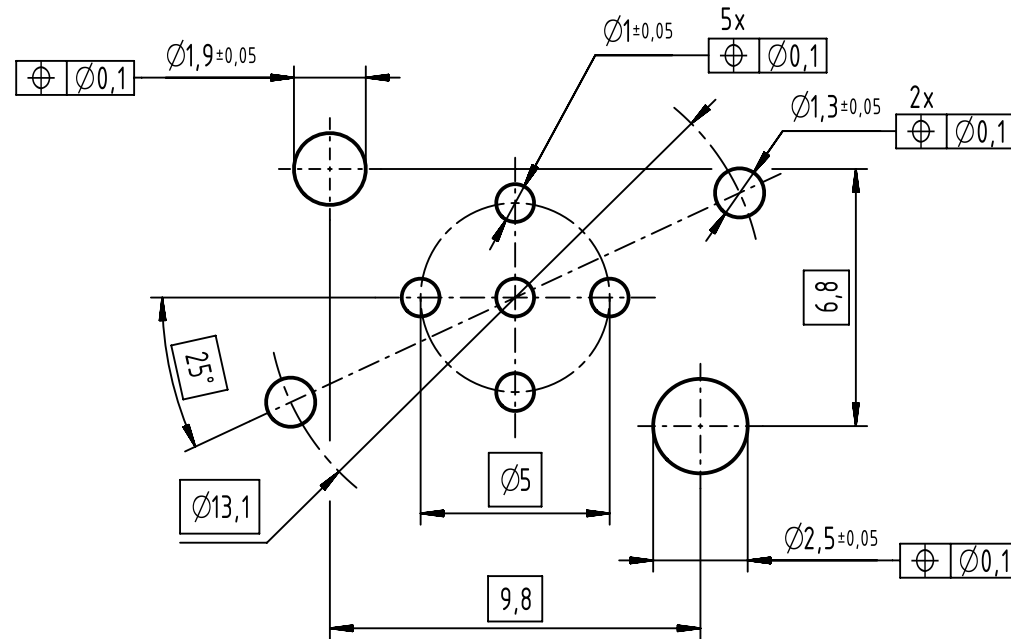



contact face based on
IEC 61076-2-101



A (5:1)
recommended PCB-layout



- 60 pcs. tray package

	All rights reserved Department EC PD - DE	All Dimensions in mm Original Size DIN A4			Scale 2:1	Free size tol.	Ref. Sub. TB 21033211518 B 500000089558 2014-10-30
		HARTING Electronics GmbH D-32339 Espelkamp	Created by DYCKC	Inspected by EISFELD	Standardisation HOFFMANN	Date 2015-06-02	State Final Release
		Title HARTING M12 PCB receptacle male A-coded 5-pole				Rev. C Page 1/1	
		Type TB		Number 21033211518			