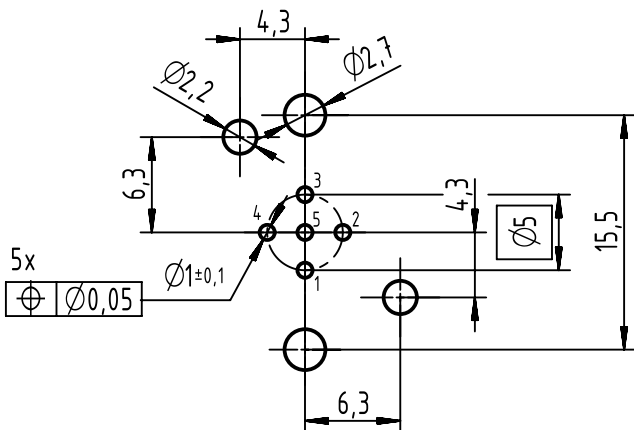
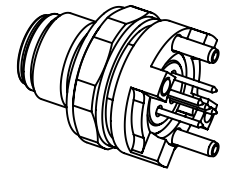
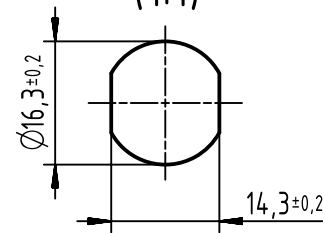


PCB layout



panel cut out

(1:1)



1 top surface PCB

recommended PCB-thickness: 1,6mm

	All rights reserved Department EL PD	All Dimensions in mm Original Size DIN A4		Scale 2:1	Free size tol.	Ref. Sub. TB 21 03 321 1510 / Mod. EC04624 / 19.03.2012	
		Created by 104122	Inspected by WELLMANN	Standardisation HOFFMANN	Date 2019-12-02	State Final Release	
HARTING Electronics GmbH D-32339 Espelkamp		Title HARTING M12 PFT A-cod 5-pole male straight IP20				Doc-Key / ECM-Nr. 100227166/UGD/004/C 500000157713	
		Type TB	Number 21033211510			Rev. C	Page 1/1