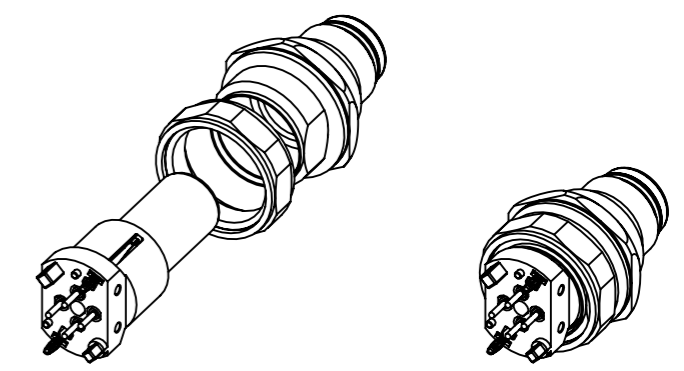
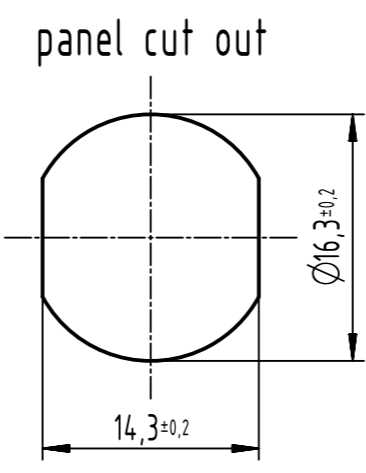
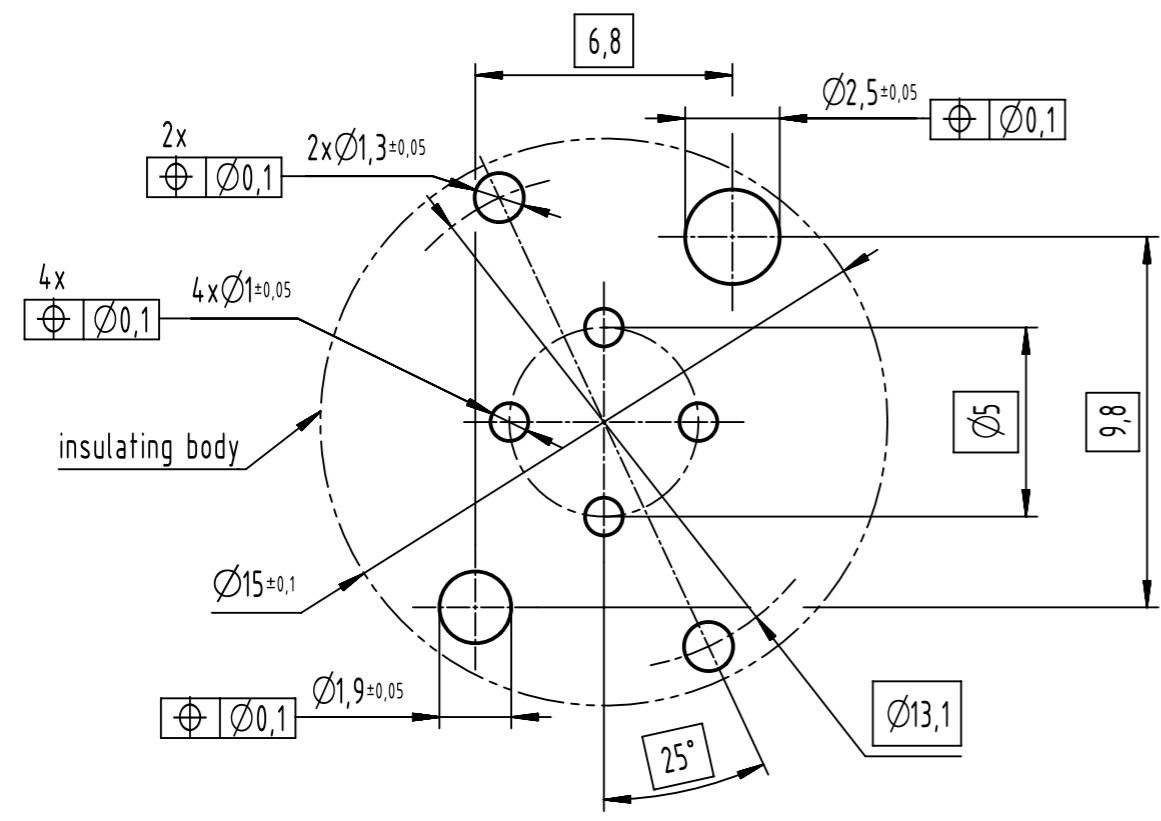


recommended PCB-layout
A (5:1)



- 500 mating cycles acc. to IEC 60512-9-1
- design for reflow soldering
- 1 pcs. single package

	All rights reserved	Created by 407787	Inspected by 104122	Standardisation	Date 2022-11-25	State Final Release
	Department EL PD	Title M12-PCB-THR-2PC-4P-ACOD-M-STR-SHLD			Doc-Key / ECM-Nr. 100584213/UGD/000/C 50000229676	
HARTING D-32339 Espelkamp	Type TB	Number 21033211431		Rev. C	Page 1/1	