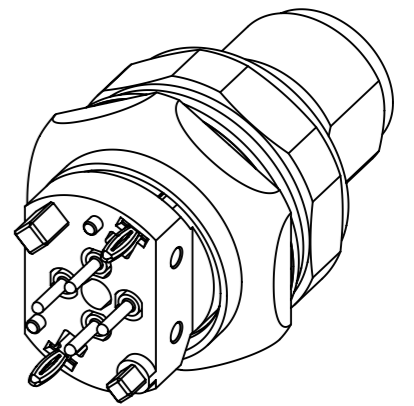
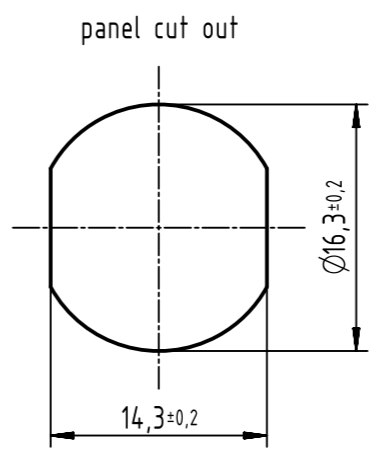
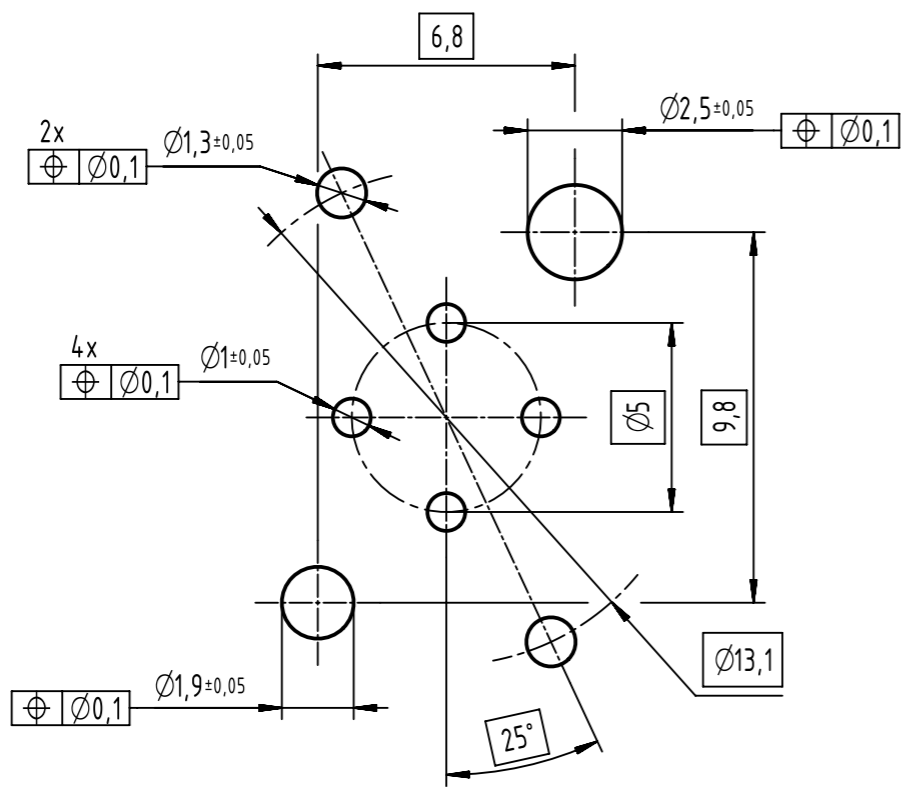
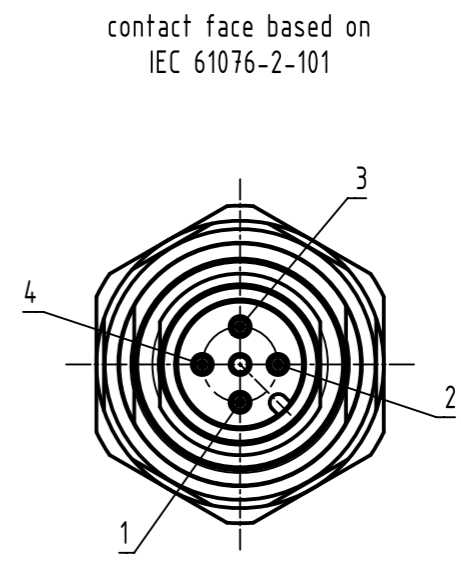
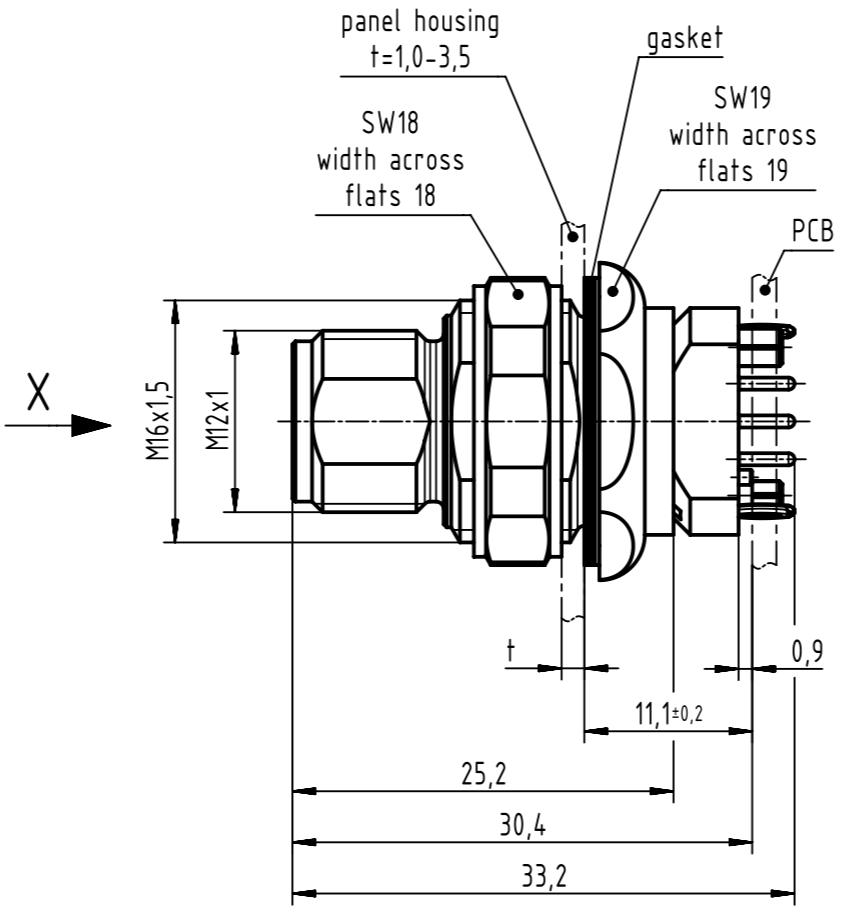


X (5:1)
recommended PCB-layout



- 1 pcs. single package

	All rights reserved		Created by		Inspected by		Standardisation		Date		State		
	Department EC PD - DE		BUSSMANT		HARLASS		HOFFMANN		2014-11-07		Final Release		
HARTING Electronics GmbH		Title HARTING M12 PCB receptacle male A-coded 4-pole back										Doc-Key / ECM-Nr. 100584203/UGD/000/B 50000081540	
D-32339 Espelkamp		Type TB		Number 21033211430				Rev. B		Page 1/1			