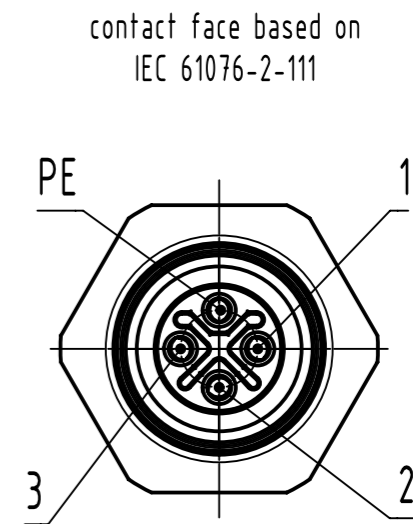
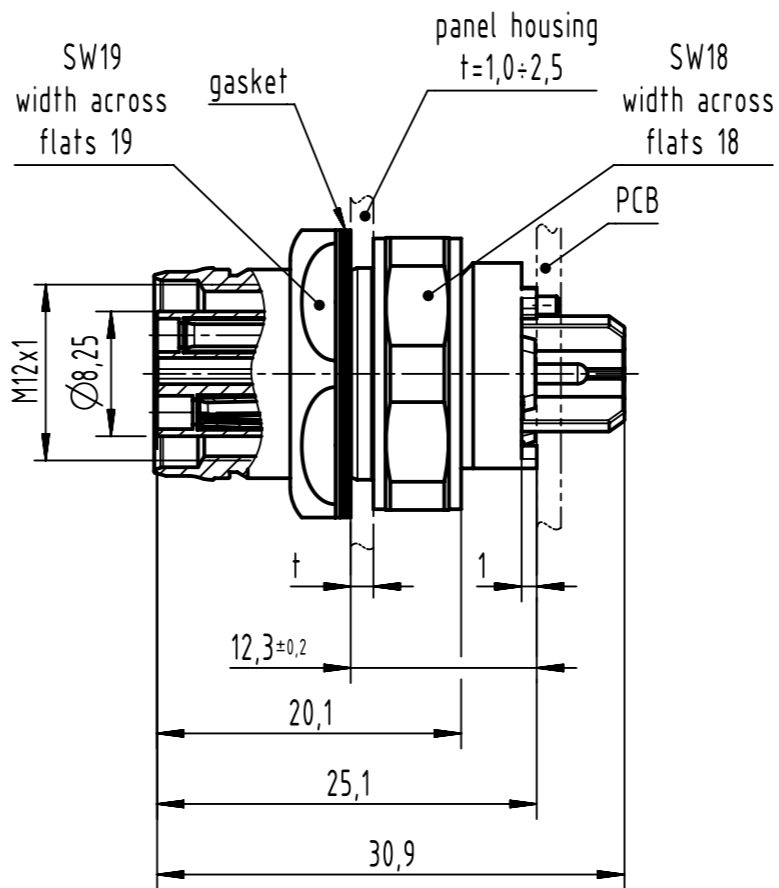
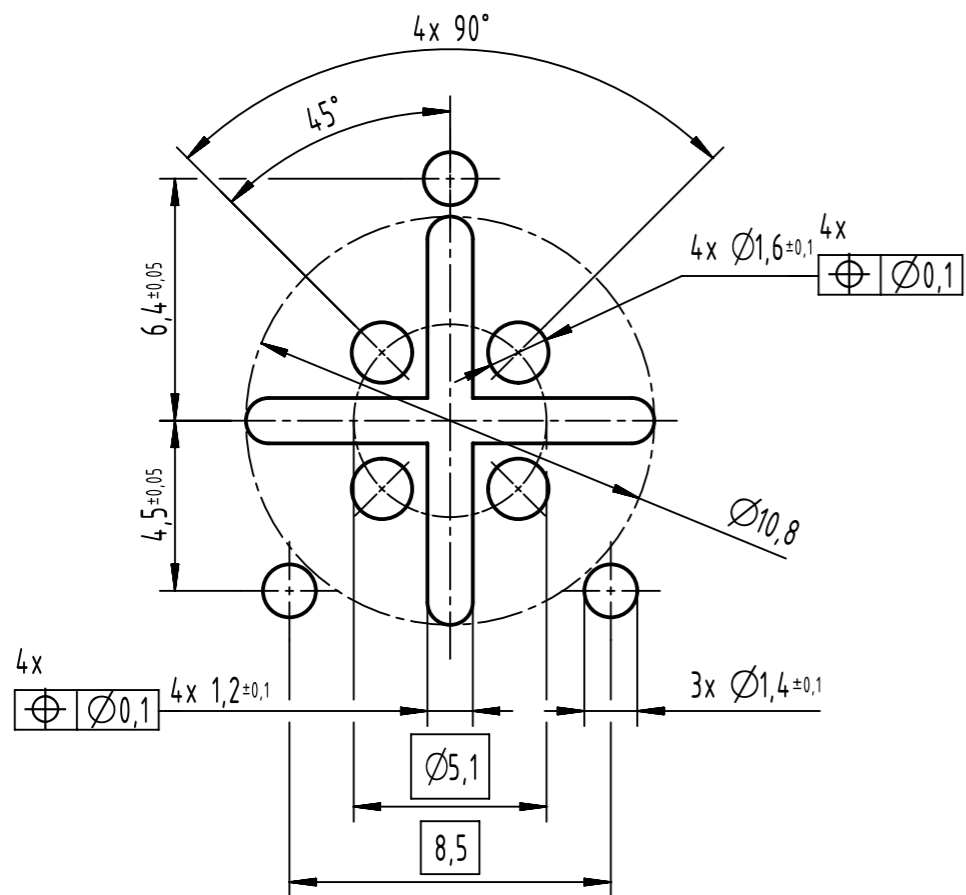
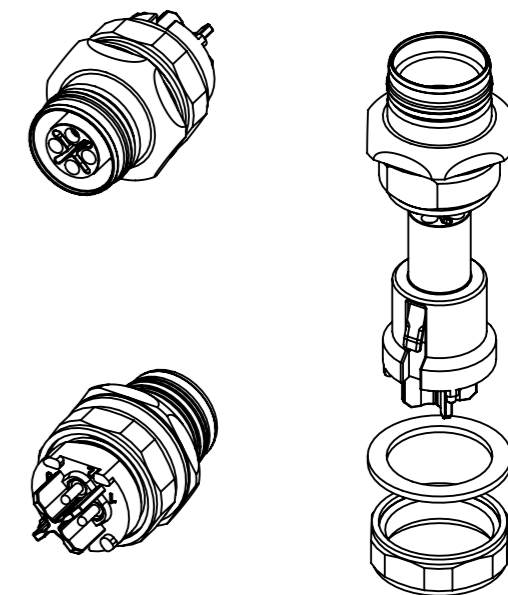
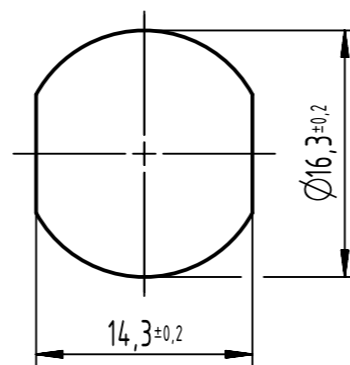


recommended PCB-layout
(5:1)

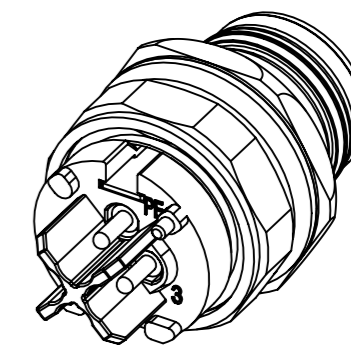
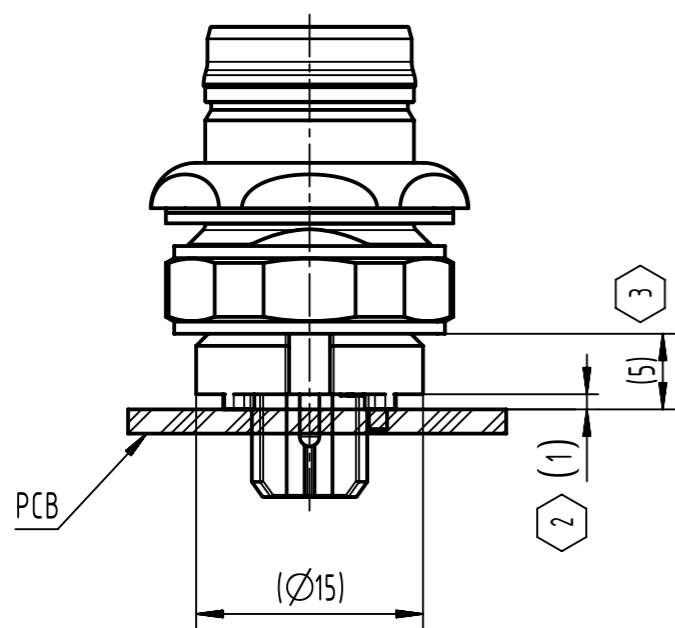
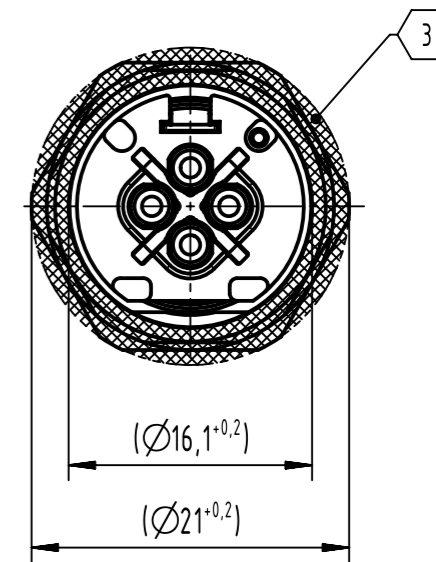
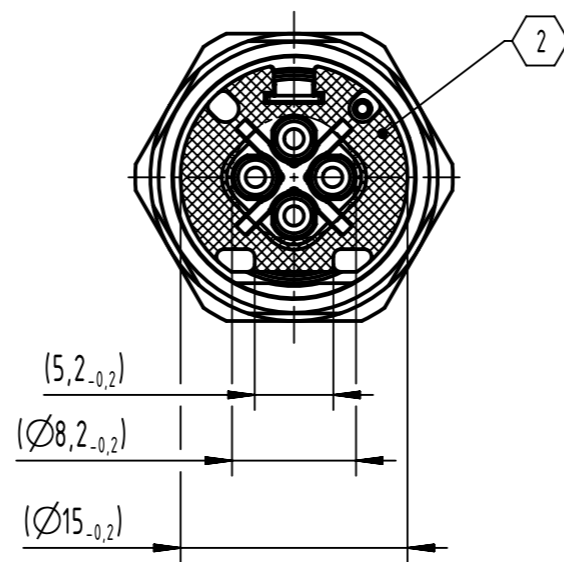
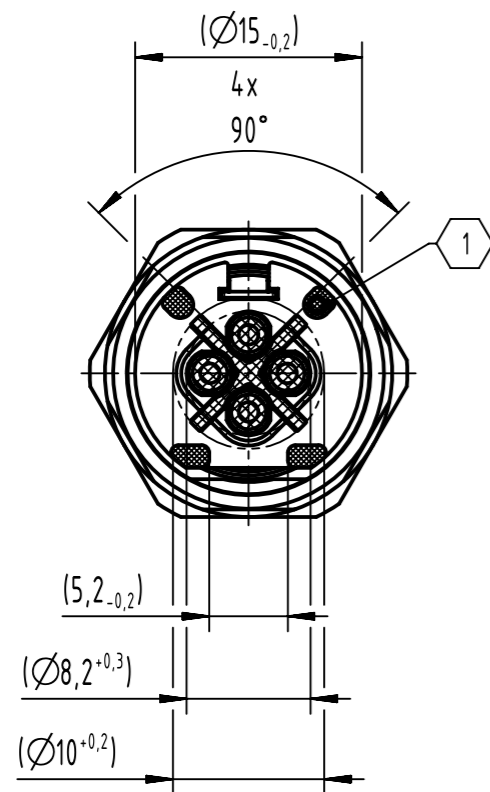


panel cut out




- recommended PCB: 1.6mm
- recommended torque for the lock nut: 2.0Nm
- 1 pcs. single package

	All rights reserved Department EL PD	All Dimensions in mm Original Size DIN A3		Scale 2:1	Free size tol.	Ref. Sub.
		Created by SERBANA	Inspected by MICLAUS	Standardisation ROEBEN	Date 2022-01-07	State Final Release
HARTING D-32339 Espelkamp		Title M12-PCB-THR-2PC-4P-SCOD-F-STR-SHLD			Doc-Key / ECM-Nr. 100800283/UGD/001/E 500000208974	
		Type TB	Number 21033092431		Rev. E	Page 1/2



- 1 the area where no component on the PCB is allowed
- 2 the area where components of max. 0.9mm height are allowed on the PCB
- 3 starting from $\text{Ø}16,1^{+0,2}$, the maximum height of the components on the PCB is 4mm

	All rights reserved Department EL PD	Created by SERBANA	Inspected by MICLAUS	Standardisation ROEBEN	Date 2022-01-07	State Final Release	Ref. Sub.
	HARTING D-32339 Espelkamp	Title M12-PCB-THR-2PC-4P-SCOD-F-STR-SHLD		Doc-Key / ECM-Nr. 100800283/UGD/001/E 50000208974		Rev. E	Page 2/2
All Dimensions in mm Original Size DIN A3		Scale 2:1	Free size tol.				
		Type TB	Number 21033092431				