

1 2 3 4 5 6

A

B

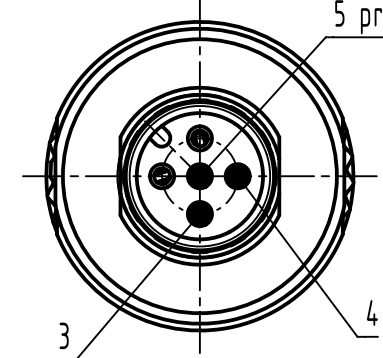
C

D

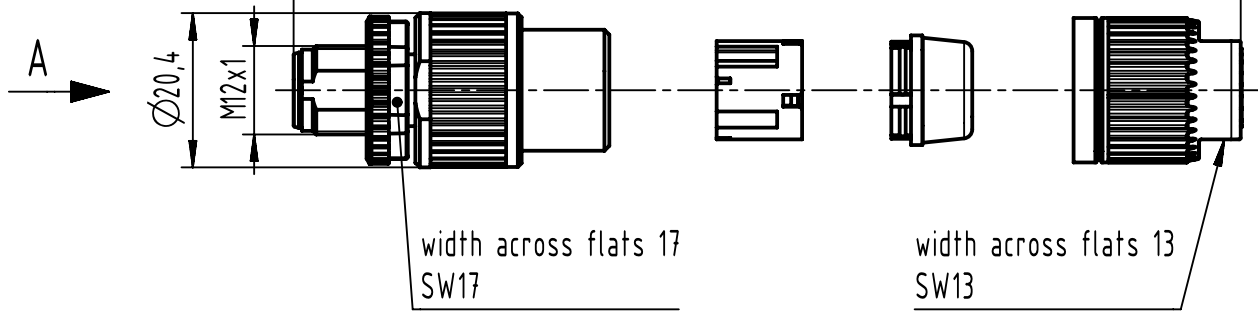
contact face based on
IEC 61076-2-101

A (2:1)

5 preleading

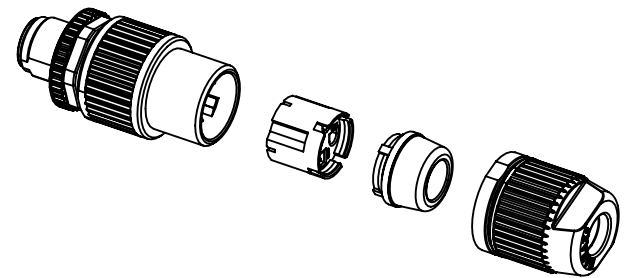


complete length when assembled app. 52mm



width across flats 17
SW17

width across flats 13
SW13



cable outside diameter	conductor cross section
6,0mm - 8,0mm	AWG22 - AWG18 0,34mm ² - 0,75mm ²

	All Dimensions in mm Original Size DIN A4	Scale	Free size tol.		Ref.
		1:1			Sub.
All rights reserved Department EL PD	Created by BUSSMANN	Inspected by	Standardisation	Date	State
		104.122		2022-09-07	Final Release
HARTING D-32339 Espelkamp	Title			Doc-Key / ECM-Nr.	
	M12-L-CC-IDC-3P-ACOD-M-STR			100190990/UGD/002/E 500000224613	
Type		Number		Rev.	Page
TB		21032121400		E	1/1