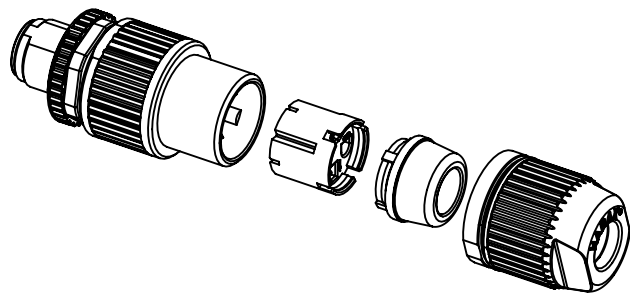
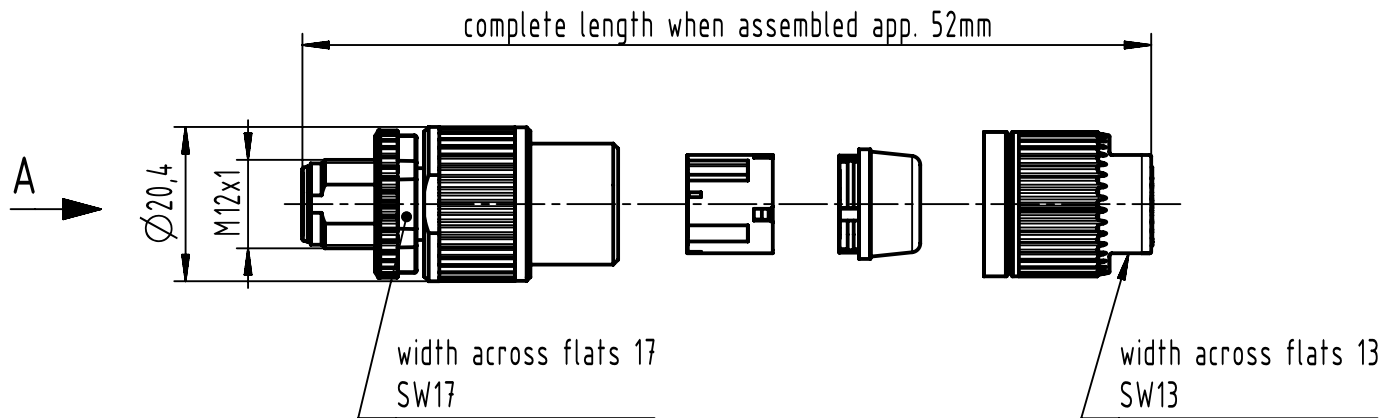
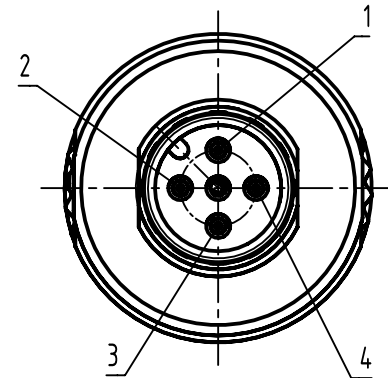



contact face based on
IEC 61076-2-101

A (2:1)



cable outside diameter	conductor cross section
6,0mm - 8,0mm	AWG22 - AWG18 0,34mm ² - 0,75mm ²

	All rights reserved Department EL PD	All Dimensions in mm Original Size DIN A4		Scale 1:1	Free size tol.	Ref. Sub.
		Created by BUSSMANN	Inspected by 104.122	Standardisation SAP_WFRT	Date 2022-07-18	State Final Release
HARTING D-32339 Espelkamp		Title M12-L-CC-IDC-4P-ACOD-M-STR			Doc-Key / ECM-Nr. 100190994/UGD/002/G 500000221267	
		Type TB	Number 21032121305		Rev. G	Page 1/1