

1 2 3 4 5 6

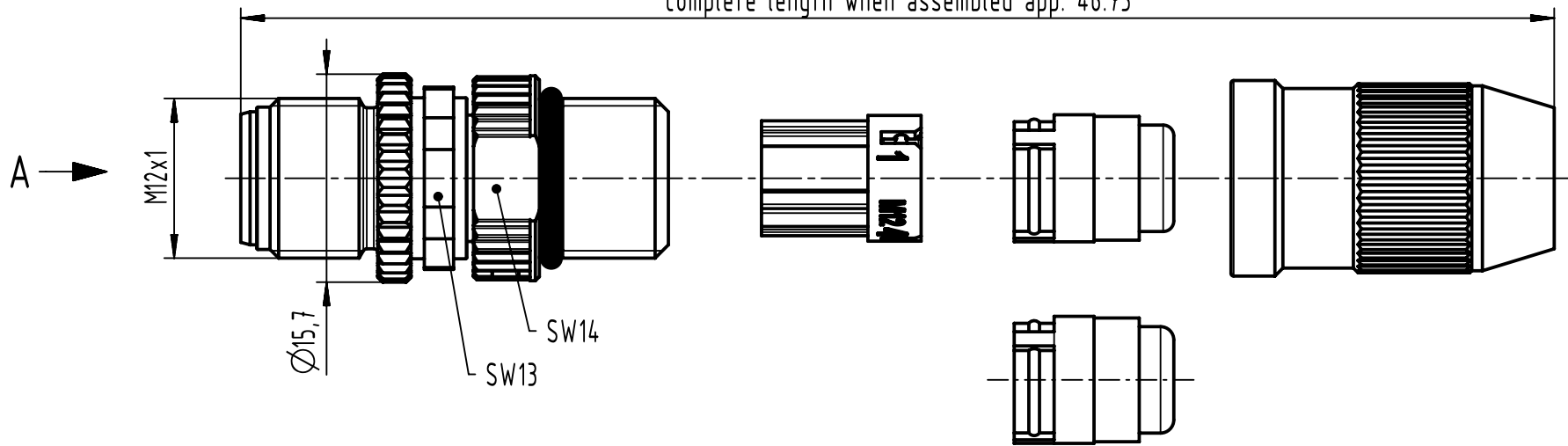
A

B

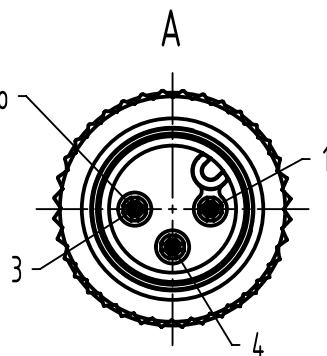
C

D

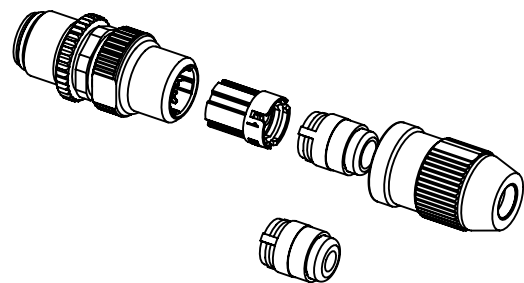
complete length when assembled app. 46.75



contact face acc. to IEC 61076-2-101



conductor cross section	cable outside diameter
0.14 - 0.34mm ² AWG26-AWG22	2.9 - 5.1mm



	All Dimensions in mm Original Size DIN A4	Scale 2:1	Free size tol.	Ref. Sub.
	All rights reserved Department EL PD	Created by EISFELD	Inspected by 104.122	Standardisation
HARTING D-32339 Espelkamp	Title M12-S-CC-IDC-3P-M-STR	Date 2021-08-23	State Final Release	Doc-Key / ECM-Nr. 100190975/UGD/002/G 500000201335
	Type TB	Number 21031111305	Rev. G	Page 1/1