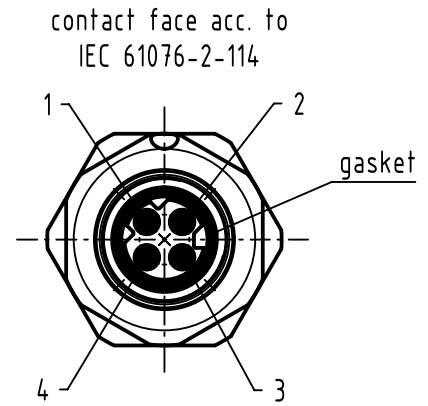
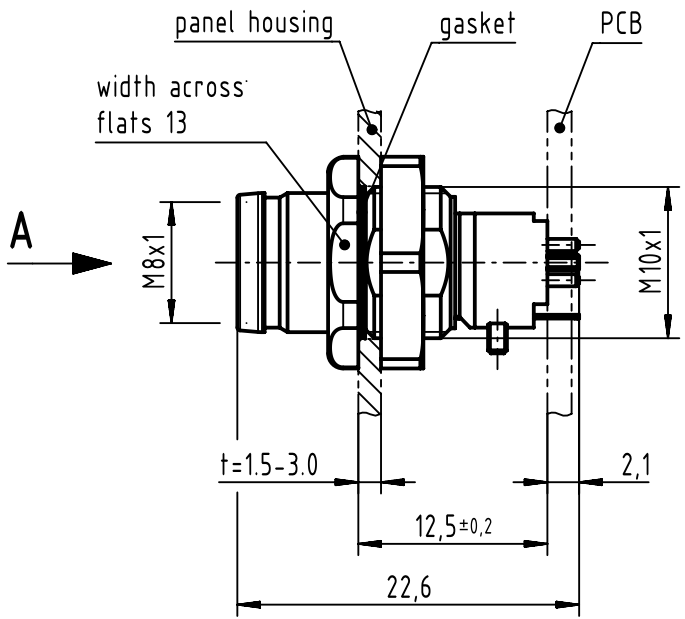
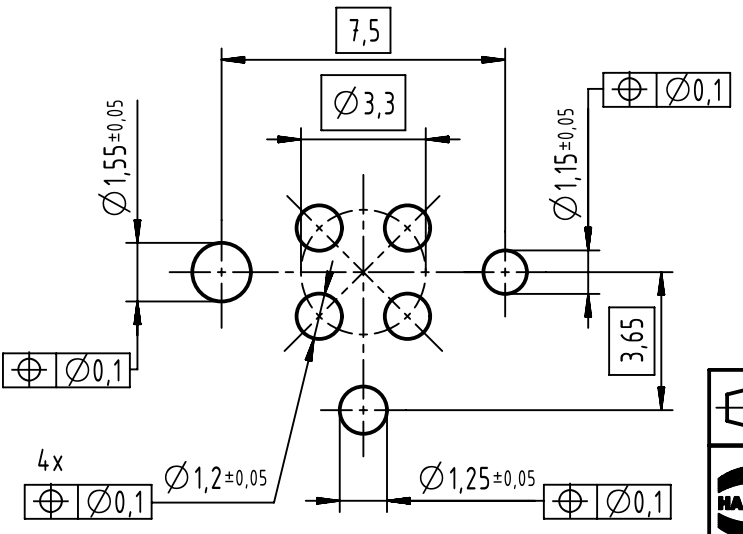
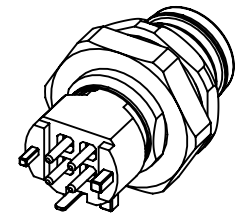
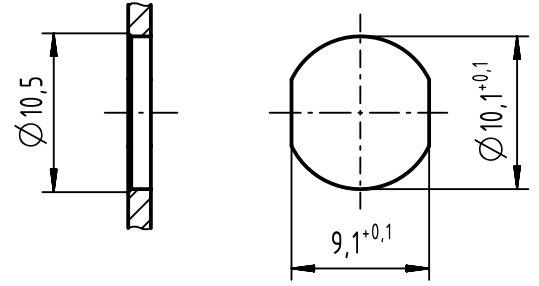


recommended PCB layout
A (5:1)



panel cut out



- recommended PCB: 1.6mm
- recommended torque for the lock nut: 0.6Nm
- 1 pcs. packed in cardboard box

	All Dimensions in mm Original Size DIN A4		Scale 2:1	Free size tol.		Ref.
			Created by HASSE	Inspected by HAEMMERLING	Standardisation 302077	Sub.
All rights reserved		Date 2020-12-10		State Final Release		
Department EL PD		Title M8-PP-PCB-THR-2PC-4P-DCOD-F-STR				Doc-Key / ECM-Nr. 100758307/UGD/002/C 500000185751
HARTING D-32339 Espelkamp		Type TB	Number 21023812431			Rev. C
						Page 1/1