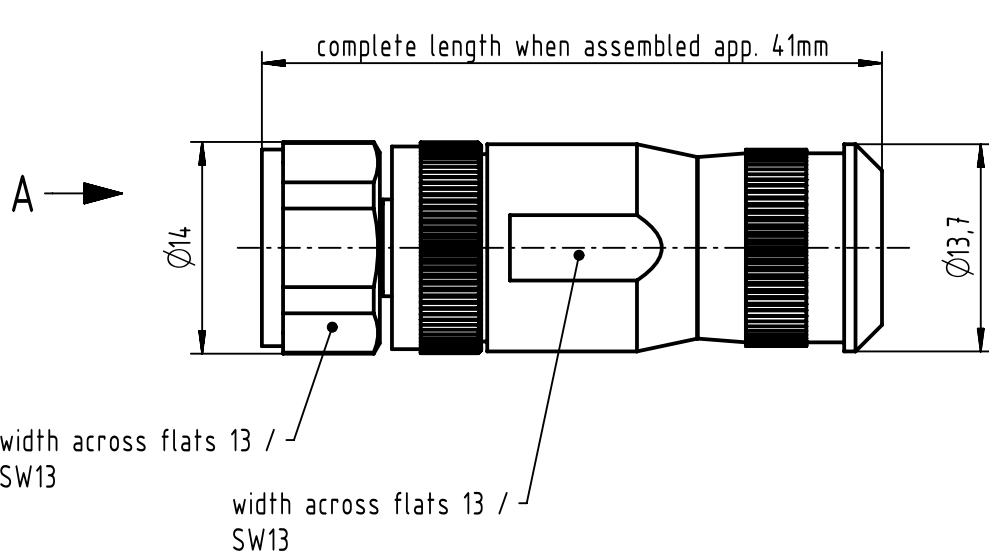


A

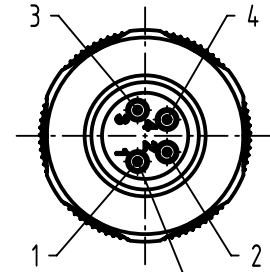
B

C

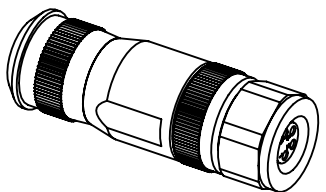
D



A (2:1)



contact face acc. to IEC 61076-2-104



conductor cross section	0.14mm ² - 0.5mm ² AWG26 - AWG20
cable outside diameter	5mm - 6.5mm

	All Dimensions in mm Original Size DIN A4		Scale 2:1	Free size tol.		Ref.	
	All rights reserved Department EL PD		Created by EISFELD	Inspected by 104.122	Standardisation SAP_WFRT	Date 2022-10-10	State Final Release
HARTING D-32339 Espelkamp			Title M8-CC-SCR-4P-F-STR-SHLD			Doc-Key / ECM-Nr. 100617450/UGD/001/D 500000227298	
			Type TB	Number 21023692401		Rev. D	Page 1/1