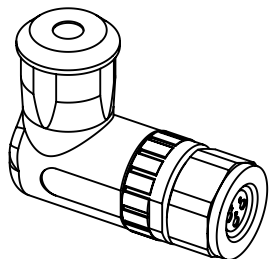
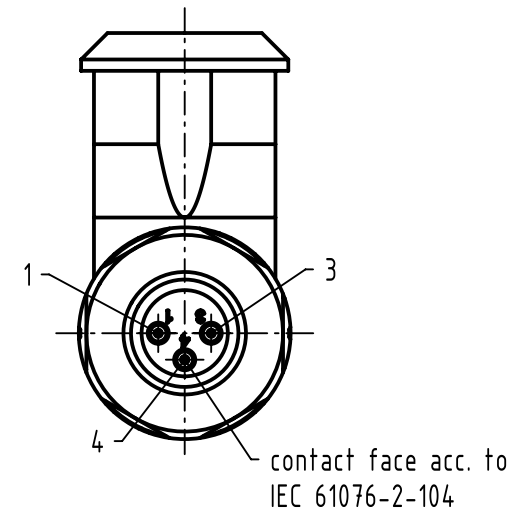




A (2:1)



conductor cross section	0.5mm <sup>2</sup> max. AWG20
cable outside diameter	4 - 5.5mm

	 All Dimensions in mm Original Size DIN A4	Scale 2:1	Free size tol.		Ref.	
	All rights reserved Department EC PD - DE	Created by EISFELD	Inspected by WELLMANN	Standardisation SCHREIER	Date 2015-04-02	State Final Release
HARTING Electronics GmbH D-32339 Espelkamp		Title HARTING M8 screw angled 3-pole female			Doc-Key / ECM-Nr. 1006174.16/UGD/001/A 500000087333	
		Type TB	Number 21023594301		Rev. A	Page 1/1