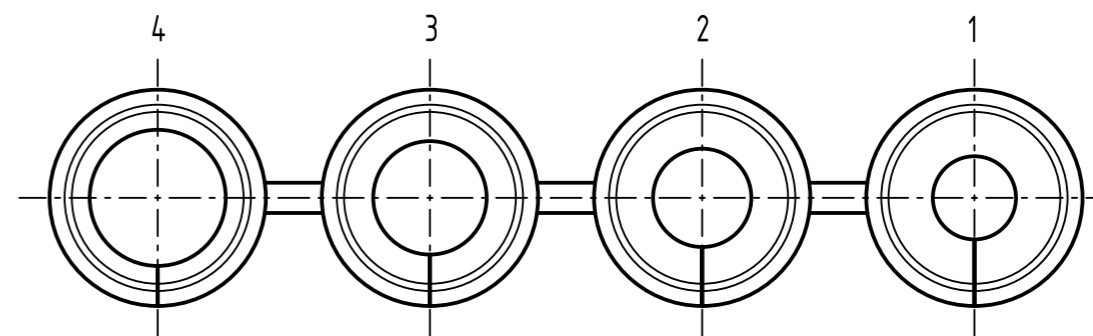
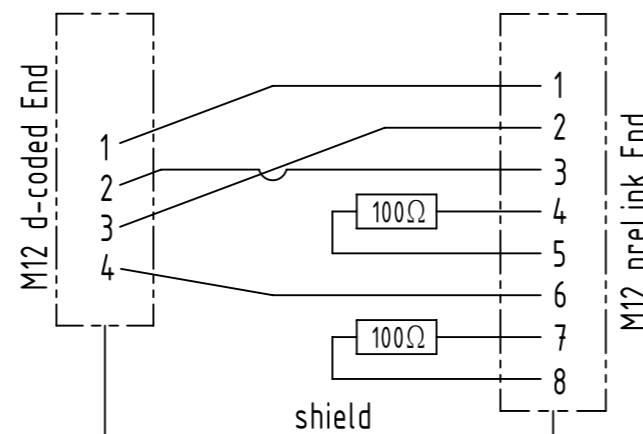


circuit diagram



- Sealing (1) - cable diameter 5.0-6.5 mm
- Sealing (2) - cable diameter 6.0-7.5 mm
- Sealing (3) - cable diameter 7.5-8.5 mm
- Sealing (4) - cable diameter 8.5-9.5 mm

This set includes the shown M12 enclosure parts and the M12 insert.

Usable preLink termination blocks are:

- 20 82 000 0001 (8-pole AWG 22/23, yellow)
- 20 82 000 0003 (8-pole AWG 26/27, transparent)
- 20 82 000 0005 (XL) (4-pole AWG 22/23, black)

Depending of the used data cable the copper foil p/n 0945 800 0200 can be useful.

| | | | | | | | |
|---|---|---|--------------------------|-----------------------------|--------------------|--|--|
| | All rights reserved Department EL PD | All Dimensions in mm Original Size DIN A3 | | Scale 2:1 | Free size tol. | Ref. Sub. | |
| | | Created by BALSAN | Inspected by PRIESTER | Standardisation HOFFMANN | Date 2019-05-14 | State Final Release | |
| HARTING Electronics GmbH D-32339 Espelkamp | | Title Ha-VIS preLink M12 plug D-coded 4-pole | | | | Doc-Key / ECM-Nr. 100576964/UGD/000/D 500000151156 | |
| | | Type TB | Number 20820050001 | | Rev. D | Page 1/1 | |