

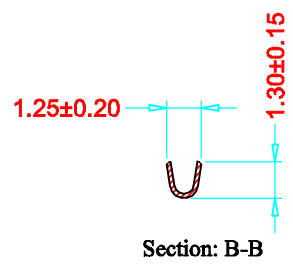
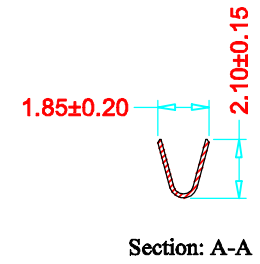
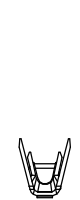
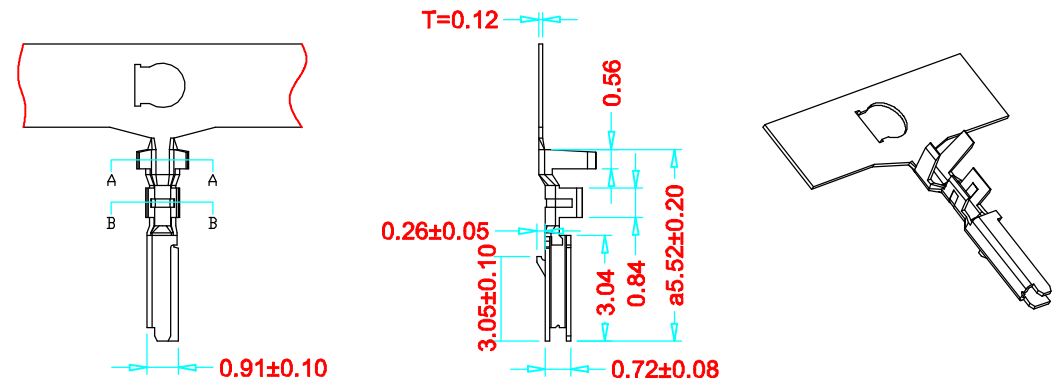
VIEW	TOLERANCE
	±1
	±5
	±10
	±20
	±50
	±100
	±150

UNIT: mm

▲ Order Code : 2013-T

**TTAF
APPROVAL**

- Specifications :
- Voltage rating: 100V AC / DC
 - Current rating: 2A AC / DC
 - Withstanding voltage: 500V AC/minute
 - Temperature range: -25°C--+85°C
 - Insulation resistance: ≥500MΩ
 - Contact resistance: ≤20mΩ
 - After environmental testing: ≤40mΩ



Date	03.11.2014	Rev.	-	Revision Detail		Rev.Dt.		Rev.by		Part No	2013-T	
Designed by	Yeşim AKSOY									Drawing Nr.	Scale	Sheet No
Checked by	Fatih BOLACA											

