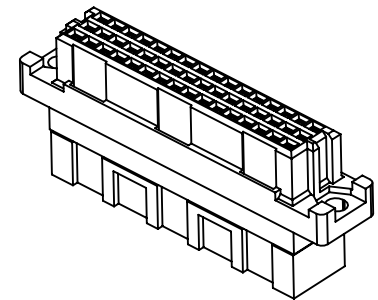
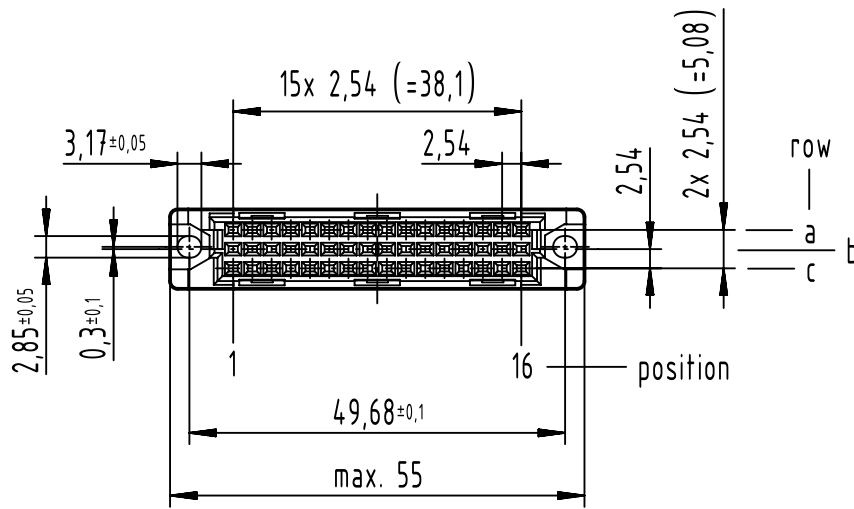



position identification rotated for connection with male type 2R



further information see product data sheet

	All rights reserved Department EL PD	All Dimensions in mm Original Size DIN A4	Scale 1:1	Free size tol. complementary IEC 60603-2	Ref. Sub.
		Created by STORCK	Inspected by LEHNERT	Standardisation 302077	Date 2021-07-05
HARTING D-32339 Espelkamp		Title DIN Signal type 2C female connector crimp inverse			Doc-Key / ECM-Nr. 100187753/UGD/007/C 500000198117
		Type TB	Number 09230483217		Rev. C Page 1/1