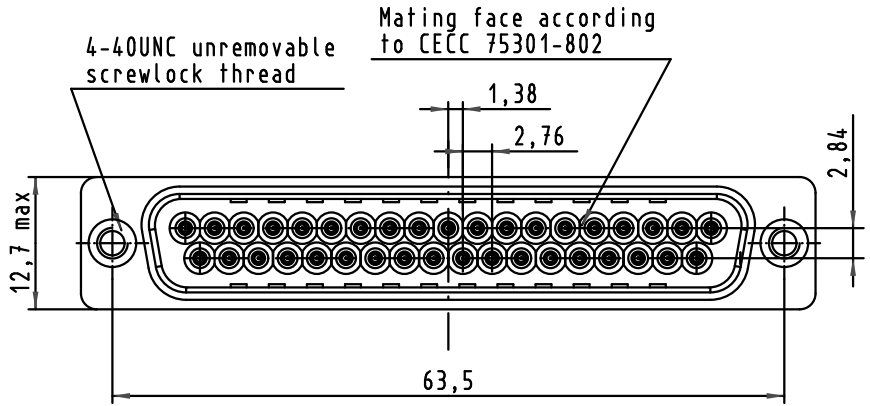
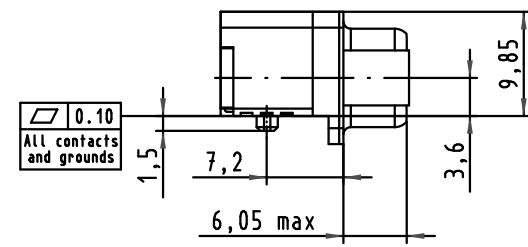


PCB Layout, component side (thickness 1,6mm min.)



Mating face according to CECC 75301-802
4-40UNC unremovable screwlock thread



Max. Temperature: 260°C during 10 seconds

09554663820.741	1	4-40 UNC	Black Insulator	Reel Packaging (160 connectors) see page 2/2
09554666820.741	2			
09554667820.741	3			
Part number	PL	Thread	Index designation	

			Dot.	Name
			Detail.	29Sep2010 ED
			Insp.	
			Stand.	
36152	29Sep2010	ED	HARTING EURL F-95972 Paris	
Mod.	Dot.	Name		

All Dim. in mm
Orig. Size DIN A 4

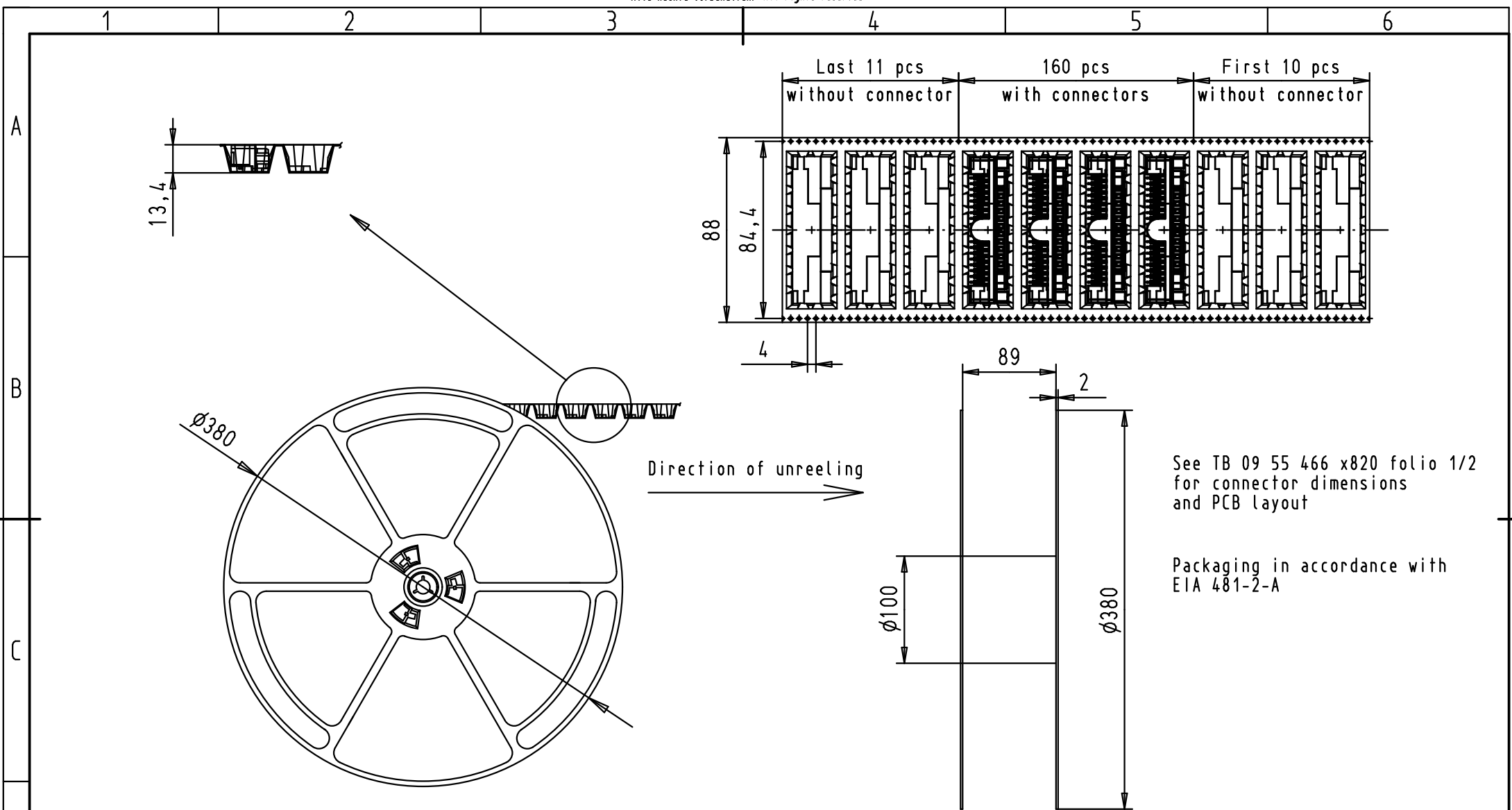
D-SUB Low Profile 37p Male
Right angled SMT
with die casted grounds
and 4-40UNC unremovable screwlocks

TB 09 55 466 x820

Sub.


Maßstab/
Scale
1,4:1

Blatt/
Page
1/2



See TB 09 55 466 x820 folio 1/2 for connector dimensions and PCB layout

Packaging in accordance with EIA 481-2-A

					Dot.	Name	 All Dim. in mm Orig. Size DIN A 4	D-SUB Low Profile 37p Male Right angled SMT with die casted grounds and 4-40UNC unremovable screwlocks	Maßstab/ Scale	
					Detail.	29Sep2010				ED
					Insp.					
					Stand.					
09554663820.741	1	4-40 UNC	Black Insulator	Reel Packaging (160 connectors)	36152	29Sep2010	ED	TB 09 55 466 x820	Blatt/ Page 2 / 2	
09554666820.741	2									
09554667820.741	3									
Part number	PL	Thread	Index designation		Mod.	Dot.	Name	Sub.		
					HARTING EURL F-95972 Paris			