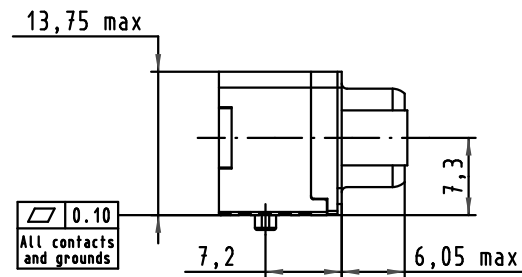
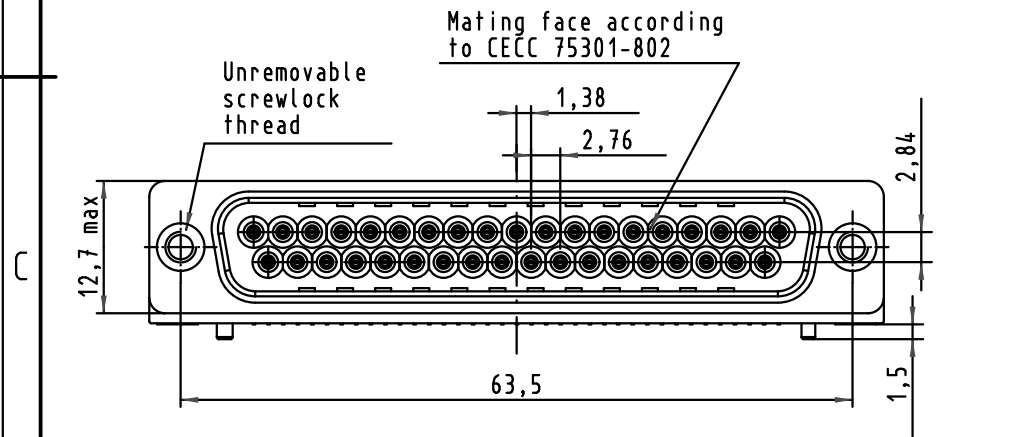
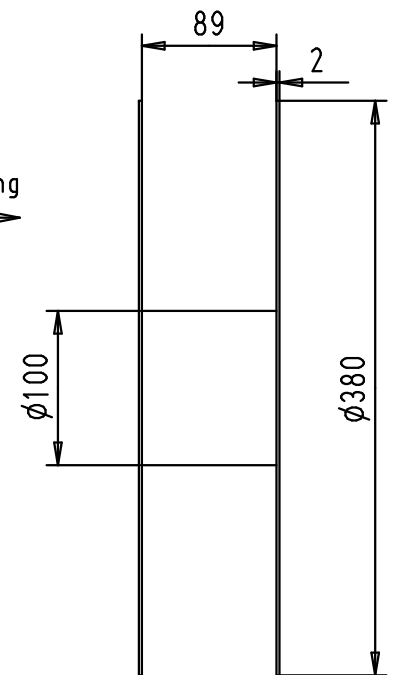
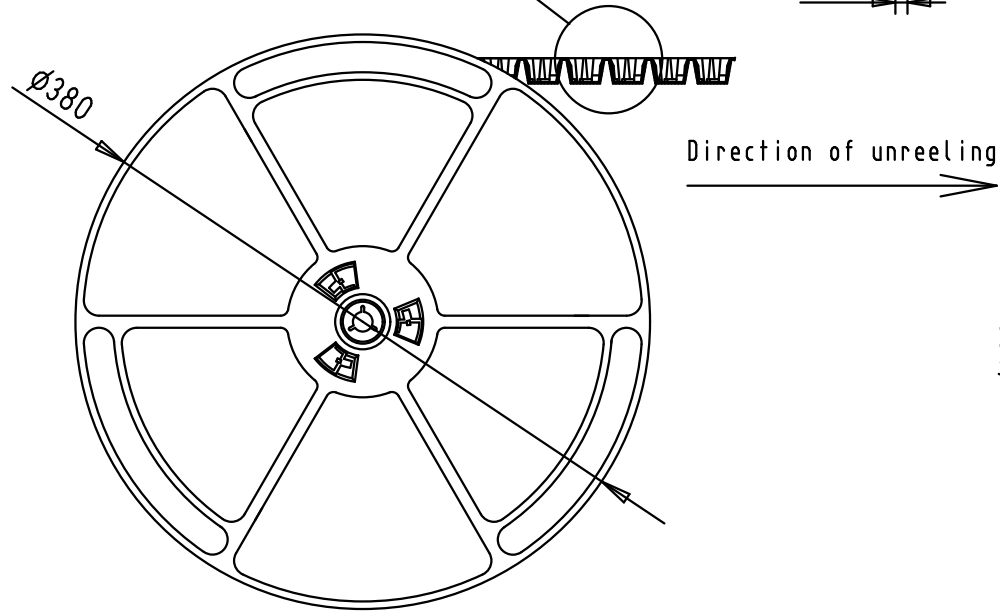
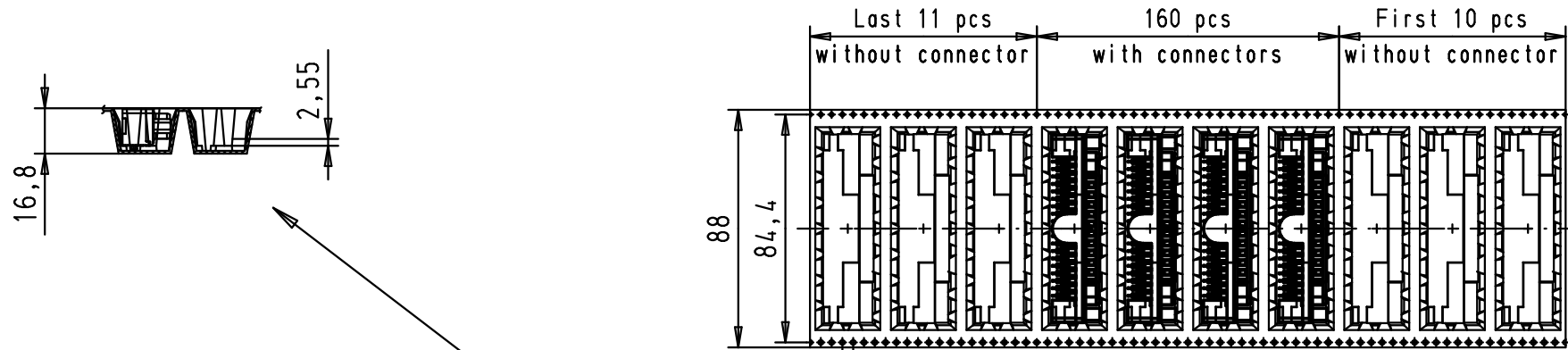


PCB Layout, component side (thickness 1,6mm min.)




Max. Temperature: 260°C during 10 seconds

D	09554663822.741	1	4-40 UNC	Black Insulator	Reel Packaging (140 connectors) see page 2/2				Dot.	Name	 All Dim. in mm Orig. Size DIN A 4	D-SUB Standard 37p Male Right angled SMT with die casted grounds and unremovable screwlocks	Maßstab/ Scale 1,4:1		
	09554666822.741	2												Detail.	29Sep2010
	09554667822.741	3							Insp.						
	09554663821.741	1	M3						Stand.						
	09554666821.741	2													
	09554667821.741	3													
	Part number	PL	Thread	Index designation		Mod.	Dot.	Name	HARTING EURL F-95972 Paris			TB 09 55 466 x82x Sub.	Blatt/ Page 1 / 2		



See TB 09 55 466 x82x folio 1/2 for connector dimensions and PCB layout

Packaging in accordance with EIA 481-2-A

D	09554663822.741	1	4-40 UNC	Black Insulator	Reel Packaging (140 connectors)						 All Dim. in mm Orig. Size DIN A 4	D-SUB Standard 37p Male Right angled SMT with die casted grounds and unremovable screwlocks	Maßstab/ Scale	
	09554666822.741	2							Detail.	29Sep2010				ED
	09554567822.741	3							Insp.					
	09554663821.741	1				M3			Stand.					
	09554666821.741	2												
	09554667821.741	3												
Part number	PL	Thread	Index designation	Mod.	Dot.		Name	HARTING EURL F-95972 Paris		TB 09 55 466 x82x Sub.	Blatt/ Page 2 / 2			