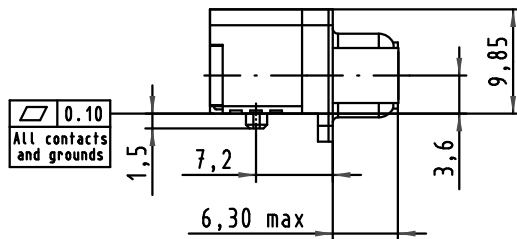
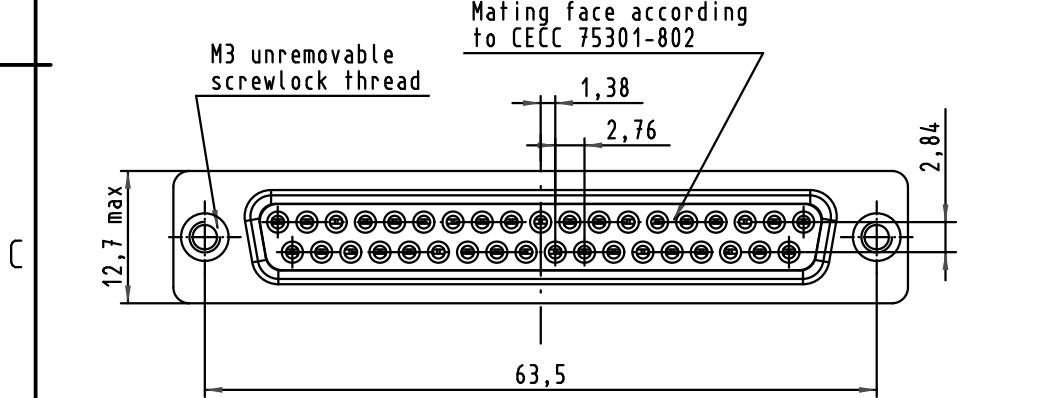


PCB Layout, component side (thickness 1,6mm min.)



Max. Temperature: 260°C during 10 seconds

09554563619.741	1	M3	Black Insulator	Reel Packaging (160 connectors) see page 2/2
09554566619.741	2			
09554567619.741	3			
Part number	PL	Thread	Index designation	

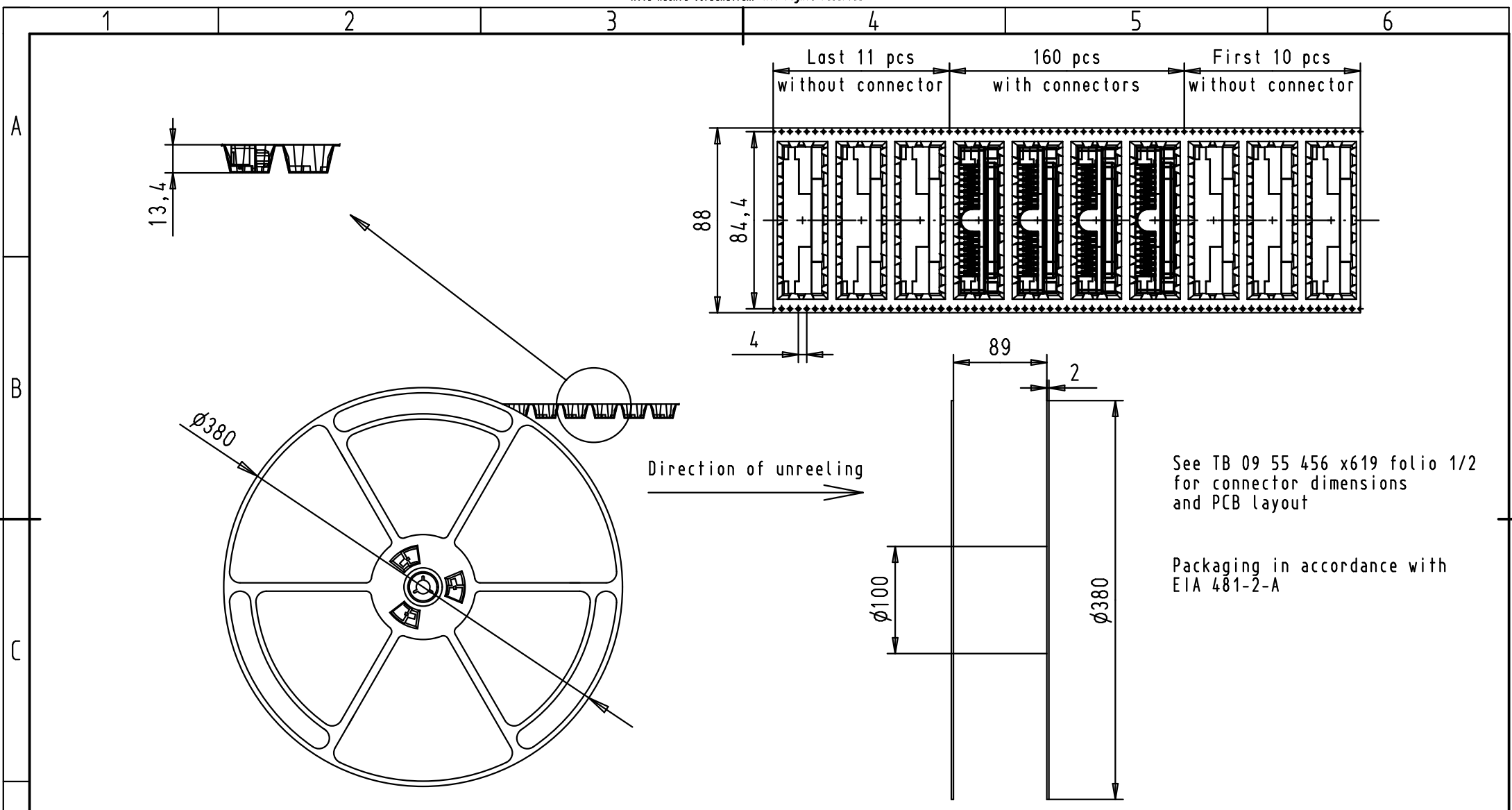
				Dot.	Name
				Detail.	29Sep2010 ED
				Insp.	
				Stand.	
36151	29Sep2010	ED	HARTING EURL F-95972 Paris		
Mod.	Dot.	Name			



D-SUB Low Profile 37p Female
Right angled SMT
with die casted grounds
and M3 unremovable screwlocks


TB 09 55 456 x619
Sub.

Maßstab/
Scale
1,4:1
Blatt/ Page
1/2



09554563619.741	1	M3	Black Insulator	Reel Packaging (160 connectors)
09554566619.741	2			
09554567619.741	3			
Part number	PL	Thread	Index designation	

			Dot.	Name
			Detail.	29Sep2010 ED
			Insp.	
			Stand.	
36151	29Sep2010	ED	HARTING EURL F-95972 Paris	
Mod.	Dot.	Name		



All Dim. in mm
Orig. Size DIN A 4

D-SUB Low Profile 37p Female
Right angled SMT
with die casted grounds
and M3 unremovable screwlocks

Maßstab/
Scale

TB 09 55 456 x619

Sub.

Blatt/ Page
2 / 2