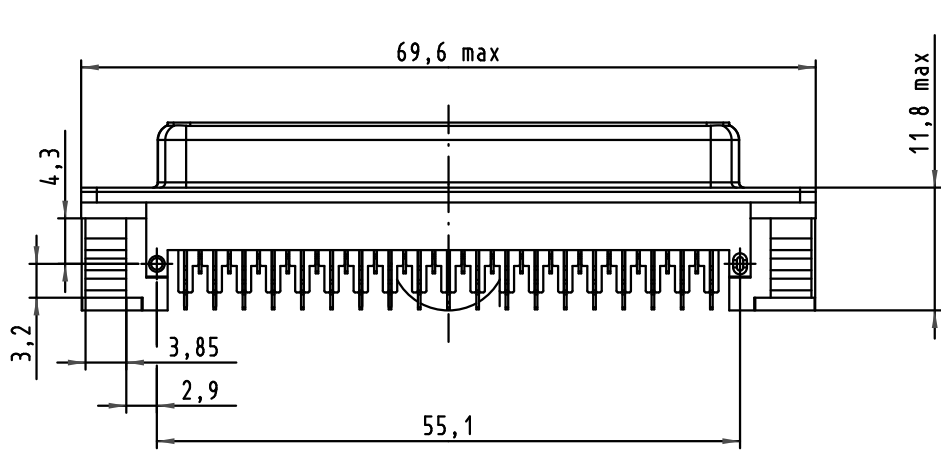
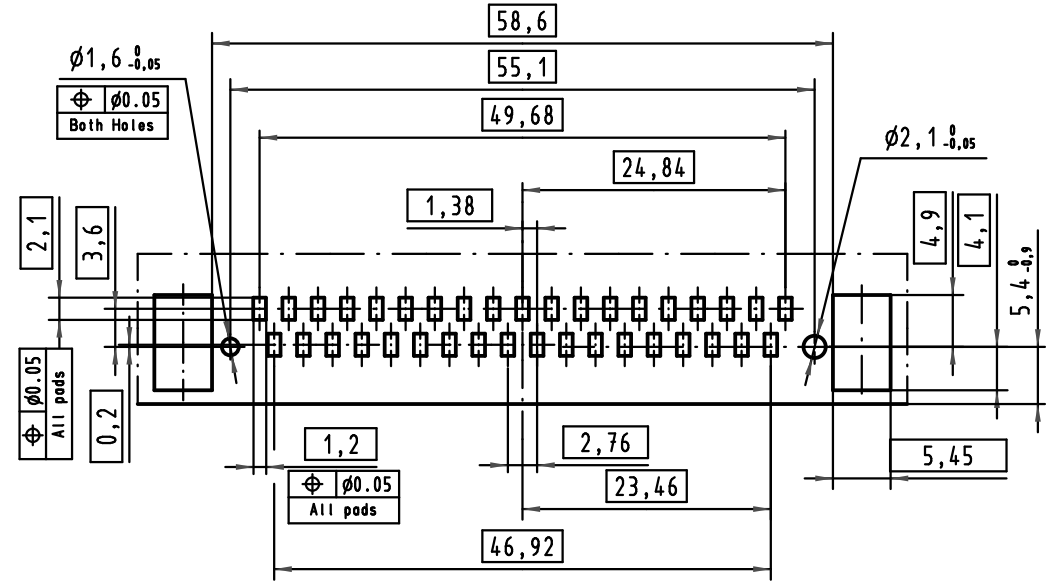


1 2 3 4 5 6

A

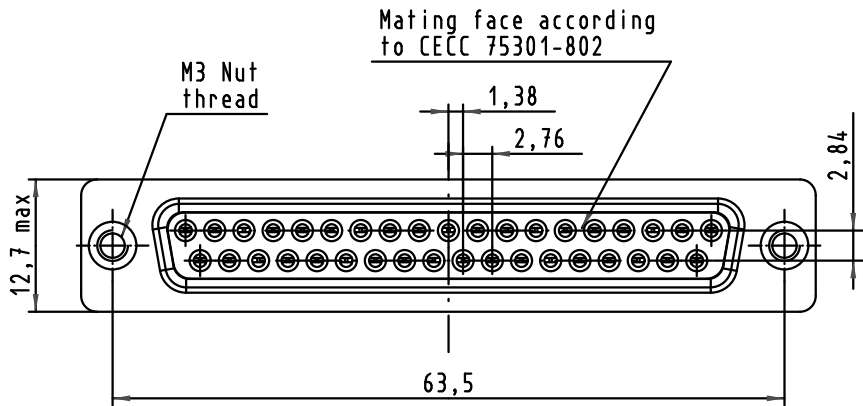


B

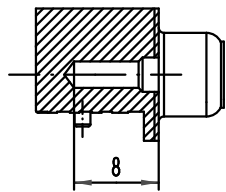
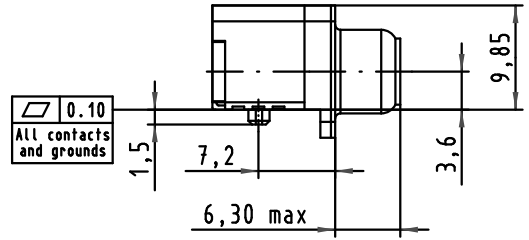


PCB Layout, component side (thickness 1,6mm min.)

C



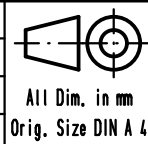
Mating face according to CECC 75301-802



Max. Temperature: 260°C during 10 seconds

09554563615.741	1	M3	Black Insulator	Reel Packaging (160 connectors) see page 2/2
09554566615.741	2			
09554567615.741	3			
Part number	PL	Thread	Index designation	

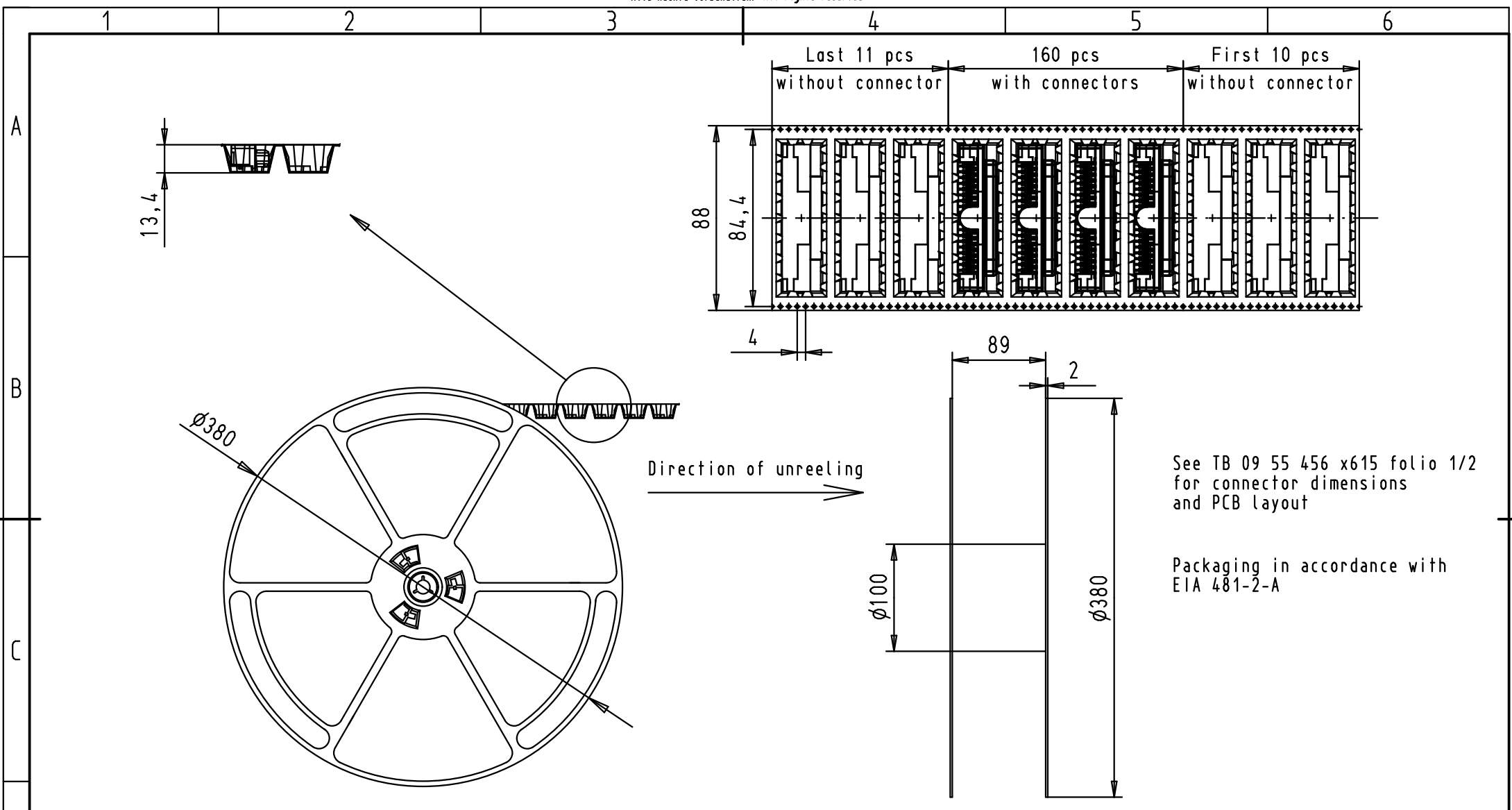
				Dot.	Name
				Detail.	29Sep2010 ED
				Insp.	
				Stand.	
36151	29Sep2010	ED	HARTING EURL F-95972 Paris		
Mod.	Dot.	Name			



D-SUB Low Profile 37p Female Right angled SMT with die casted grounds and M3 nuts

TB 09 55 456 x615

Maßstab/Scale 1,4:1
Blatt/Page 1/2




See TB 09 55 456 x615 folio 1/2 for connector dimensions and PCB layout

Packaging in accordance with EIA 481-2-A

09554563615.741	1	M3	Black Insulator	Reel Packaging (160 connectors)
09554566615.741	2			
09554567615.741	3			
Part number	PL	Thread	Index designation	

			Dot.	Name
			Detail.	29Sep2010 ED
			Insp.	
			Stand.	
36151	29Sep2010	ED	HARTING EURL F-95972 Paris	
Mod.	Dot.	Name		

 <p>All Dim. in mm Orig. Size DIN A 4</p>	D-SUB Low Profile 37p Female Right angled SMT with die casted grounds and M3 nuts	Moßstab/ Scale
	TB 09 55 456 x615	Blatt/ Page 2 / 2
Sub.		