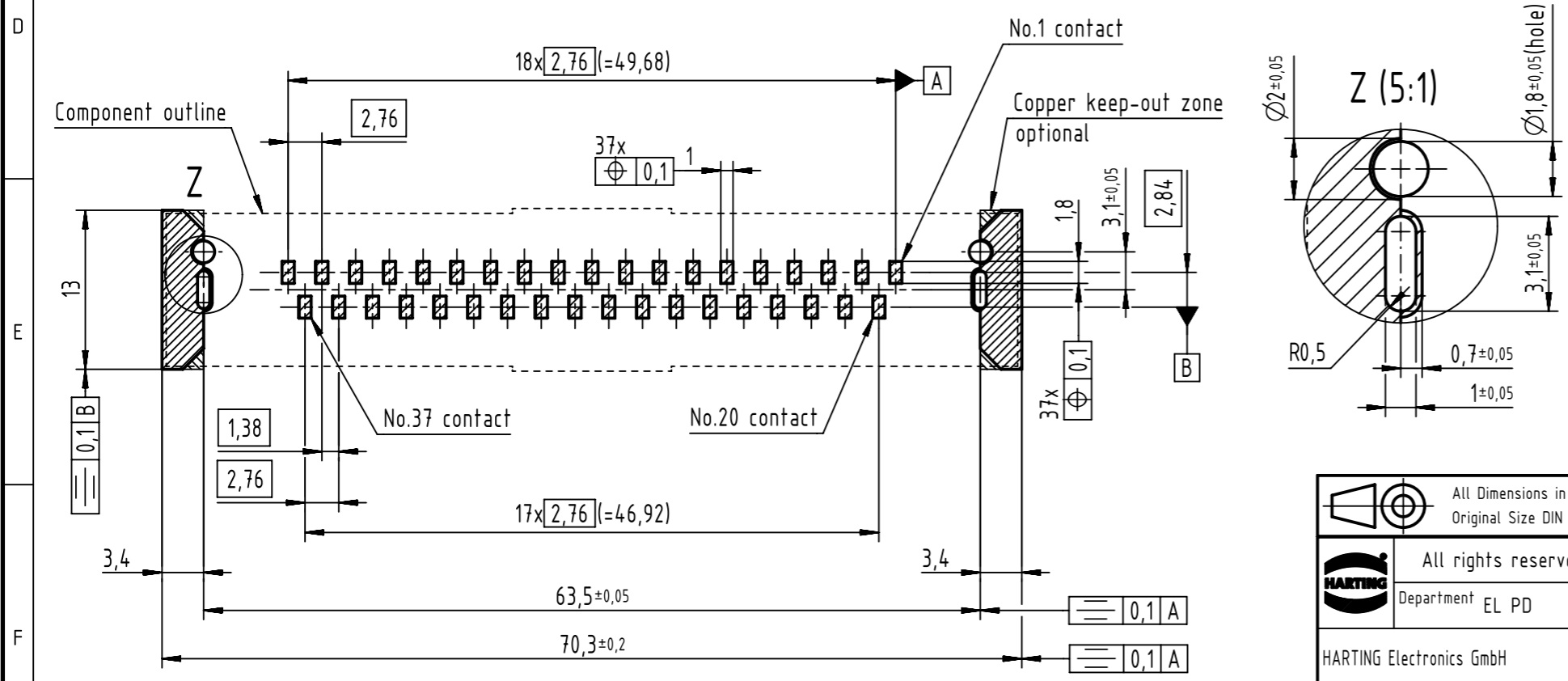


PCB layout, component side



Max. Temperature: 260°C during 10 seconds.
Find further technical information on DS 09550200302.

0955 455 3611 741	1	M3	Black insulator	Reel Packaging: 140 connectors
0955 455 3612 741	1	4-40 UNC		
0955 455 6611 741	2	M3		
0955 455 6612 741	2	4-40 UNC		
0955 455 7611 741	3	M3		
0955 455 7612 741	3	4-40 UNC		
Part number	PL	Nut	Index designation	

<p>All rights reserved Department EL PD HARTING Electronics GmbH D-32339 Espelkamp</p>	<p>All Dimensions in mm Original Size DIN A3</p>	<p>Scale 2:1</p>	<p>Free size tol.</p>	<p>Ref. Sub.</p>
	<p>Created by ZHUANGJ</p>	<p>Inspected by LUOK</p>	<p>Standardisation HOFFMANN</p>	<p>Date 2018-11-29</p>
<p>Title D-Sub str SMT 37-pole fem with ground pin & screw nut</p>				<p>Doc-Key / ECM-Nr. 100236637/UGD/001/B 500000139800</p>
<p>Type TB</p>	<p>Number 0955455X61X</p>	<p>Rev. B</p>	<p>Page 1/1</p>	