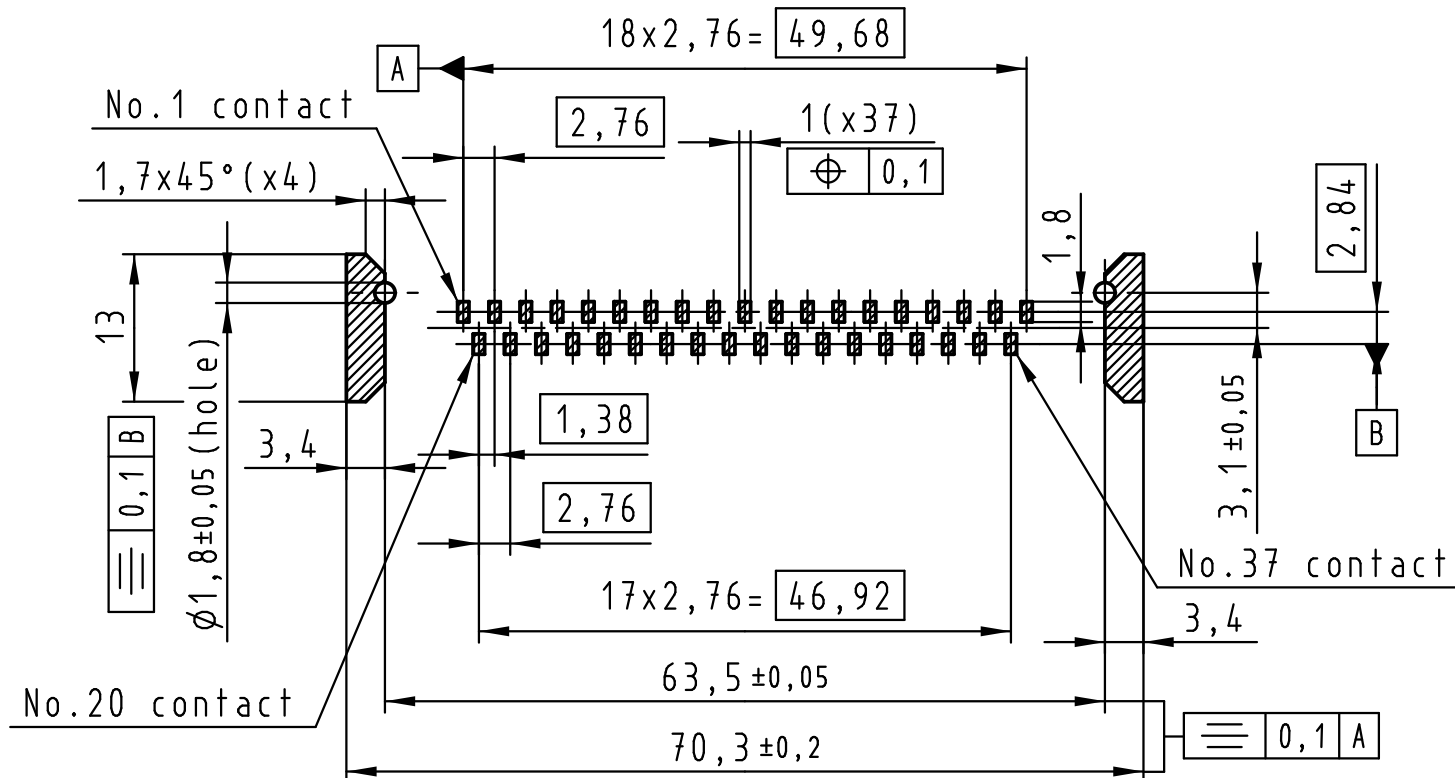
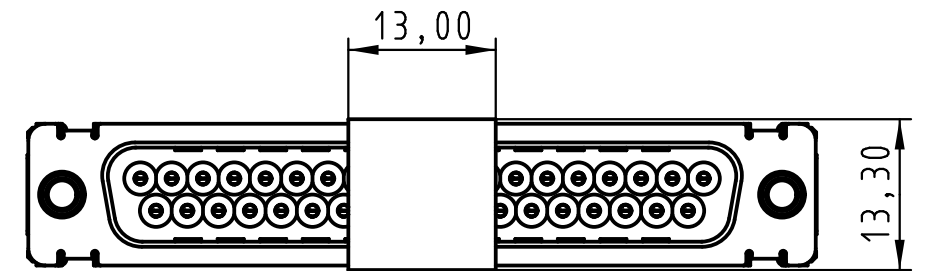
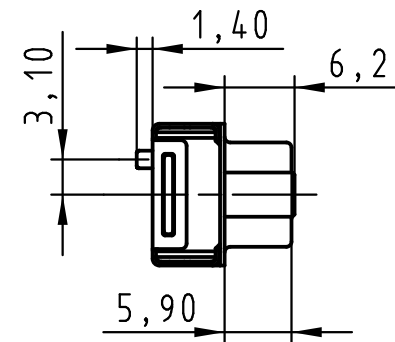
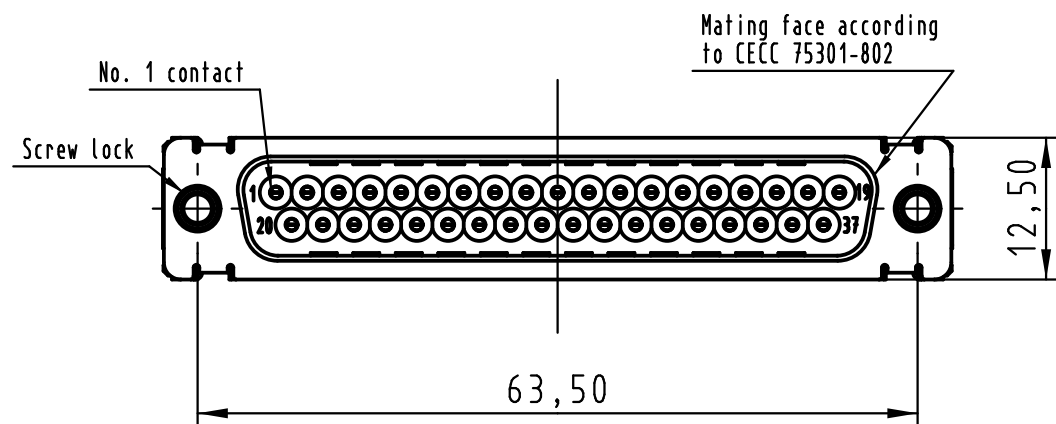
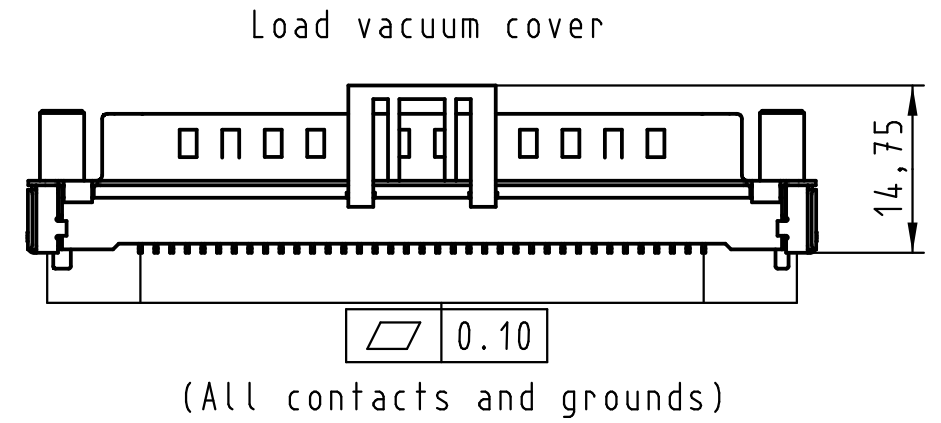
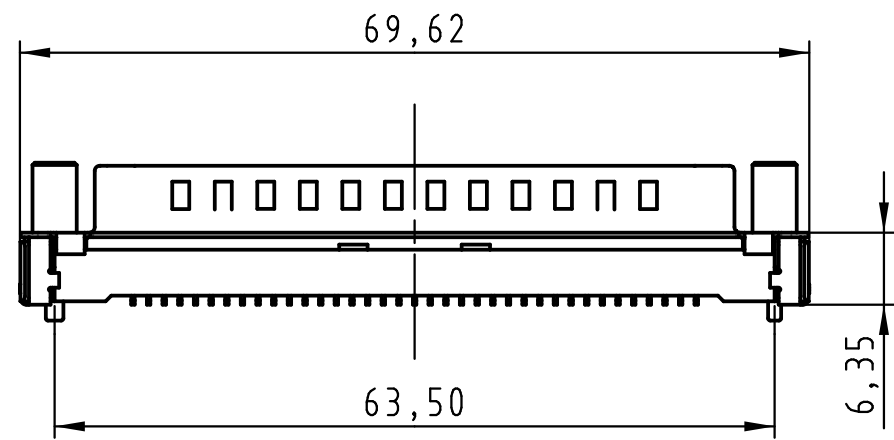


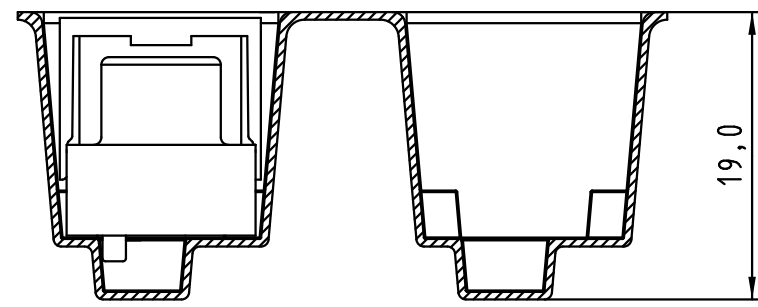
All rights reserved



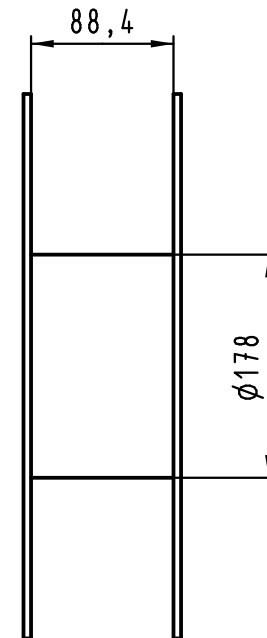
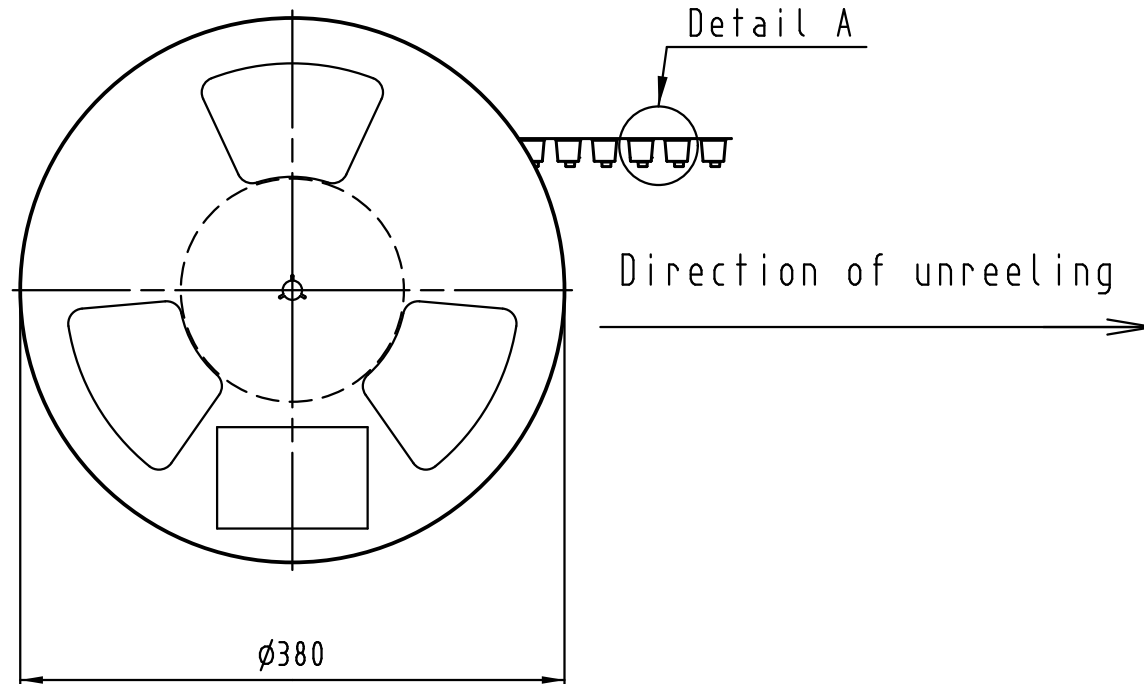
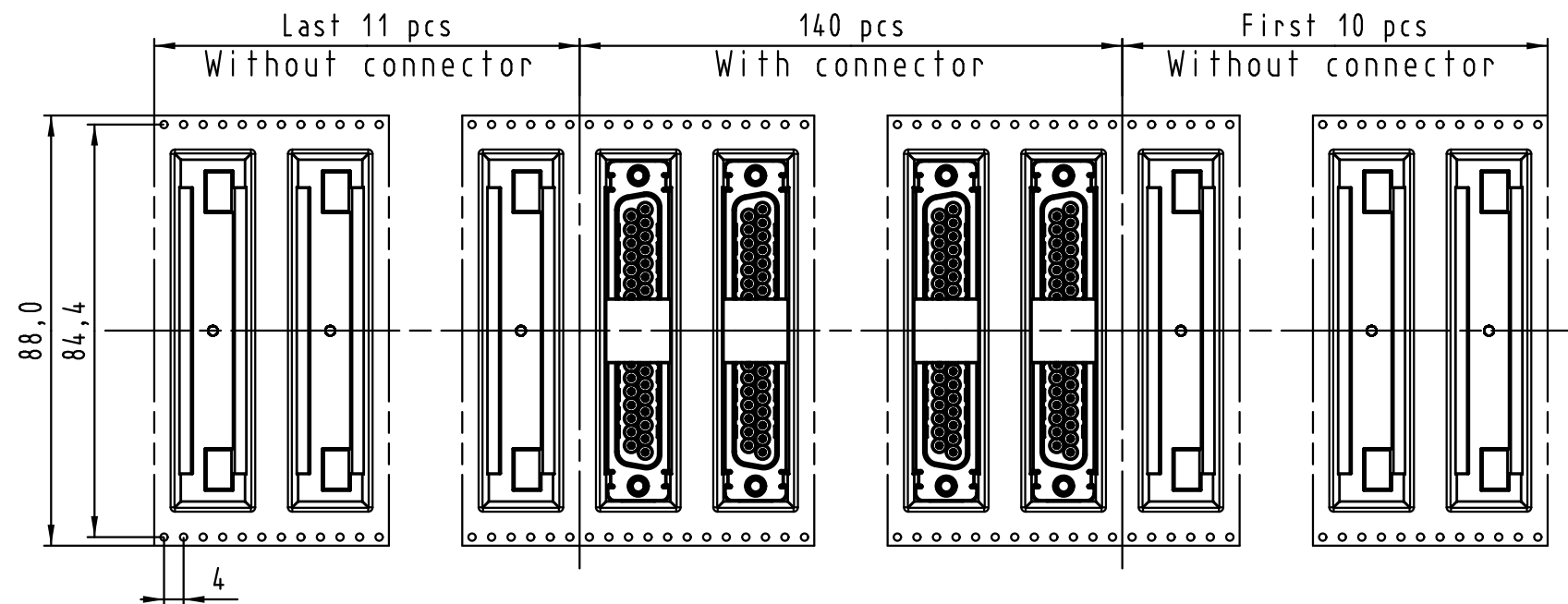
Max. Temperature: 260° during 10 seconds.

0955 429 3821 741	1	M3	Black insulator	Reel Packaging: 140 connectors (See details on page2/2)
0955 429 3822 741	1	4-40 UNC		
0955 429 6821 741	2	M3		
0955 429 6822 741	2	4-40 UNC		
0955 429 7821 741	3	M3		
0955 429 7822 741	3	4-40 UNC		
Part number	PL	Screw lock	Index designation	
		Techn. Character.	Free size tolerances	
			D-Sub SMT, 37 poles Male, Straight with screw locks and ground pads	
			1.5:1	
EC04070	17-Nov-11	Johnson.S	Zhuhai HARTING Limited	
Mod.	Dat.	Name	TB 09 55 429 x82x	Page 1/2

PCB layout, component side



Detail A



See TB 09 55 429 x82x folio 1/2 for connector dimensions and PCB layout

Packaging in accordance with EIA 481-2.

0955 429 3821 741	1	M3	Black insulator	Reel Packaging: 140 connectors
0955 429 3822 741	1	4-40 UNC		
0955 429 6821 741	2	M3		
0955 429 6822 741	2	4-40 UNC		
0955 429 7821 741	3	M3		
0955 429 7822 741	3	4-40 UNC		
Part number	PL	Screw lock	Index designation	

All Dimensions in mm Original Size DIN A 3			Techn. Character.			Free size tolerances		
				Dat.	Name	Scale		
			Detail.	25-Oct-11	Johnson.S	D-Sub SMT, 37 poles Male, Straight with screw locks and ground pads		
			Insp.	17-Nov-11	Steven.W			
			Stand.	17-Nov-11	Steven.W			
EC04070	17-Nov-11	Johnson.S	Zhuhai HARTING Limited			TB 09 55 429 x82x		
Mod.	Dat.	Name				Sub.		

All rights reserved