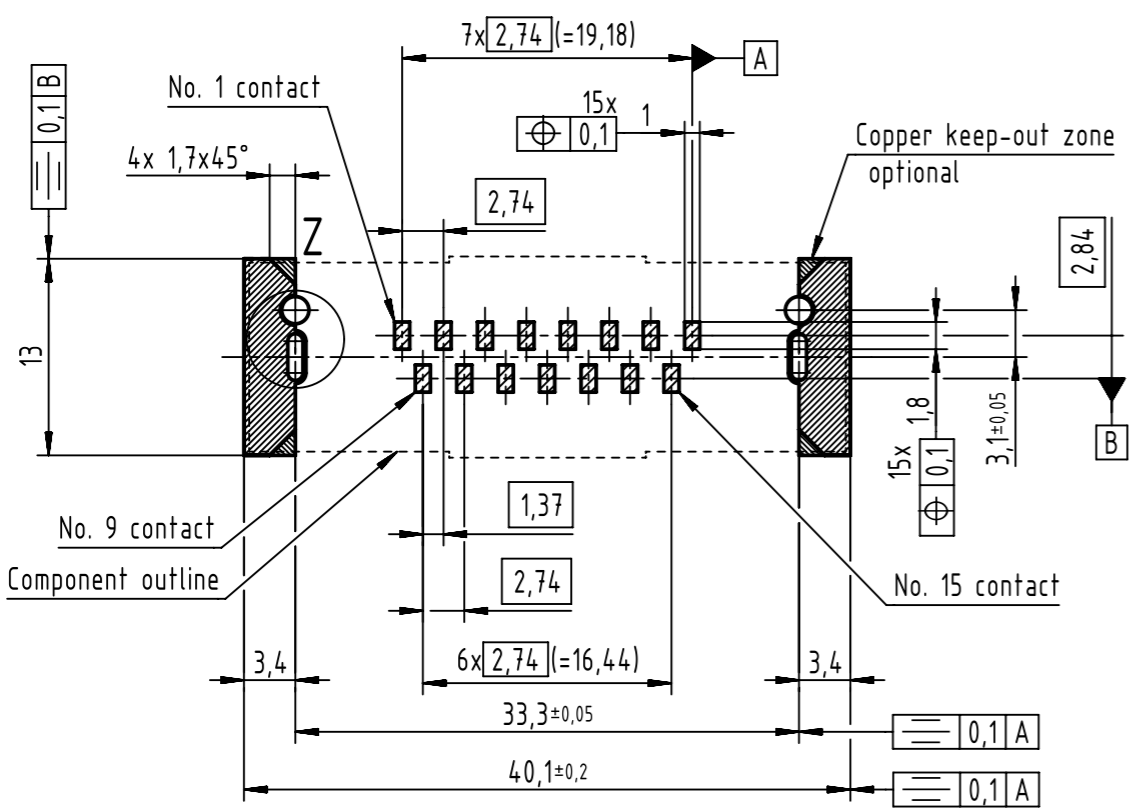
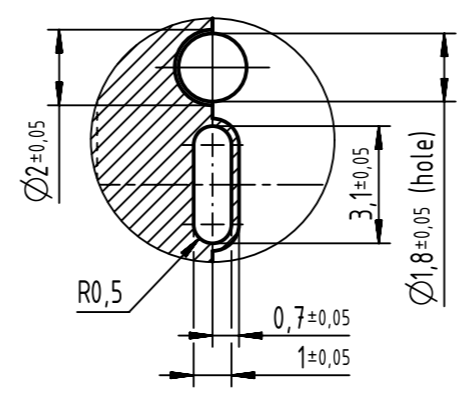


PCB layout, component side



Z (5:1)



Max. Temperature: 260°C during 10 seconds
Find further technical information on DS 09550200302

0955 269 6812 333	2	4-40 UNC	Black insulator	Samples
0955 269 3811 741	1	M3	Black insulator	Reel packing: 140 connectors
0955 269 3812 741	1	4-40 UNC		
0955 269 6811 741	2	M3		
0955 269 6812 741	2	4-40 UNC		
0955 269 7811 741	3	M3		
0955 269 7812 741	3	4-40 UNC		
0955 269 7812 741	3	4-40 UNC		
Part number	PL	Nut	Index designation	

All rights reserved Department EL PD HARTING Electronics GmbH D-32339 Espelkamp		All Dimensions in mm Original Size DIN A3 Scale 1:1 Free size tol.	Created by ZHUANGJ Inspected by LUOK Standardisation HOFFMANN Date 2018-11-29 State Final Release	Ref. Sub. Title D-Sub str SMT 15-pole male with screw nut & ground pin Type TB Number 0955269X81X	Doc-Key / ECM-Nr. 100236627/UGD/001/B 500000139800 Rev. B Page 1/1
--	--	---	---	--	--