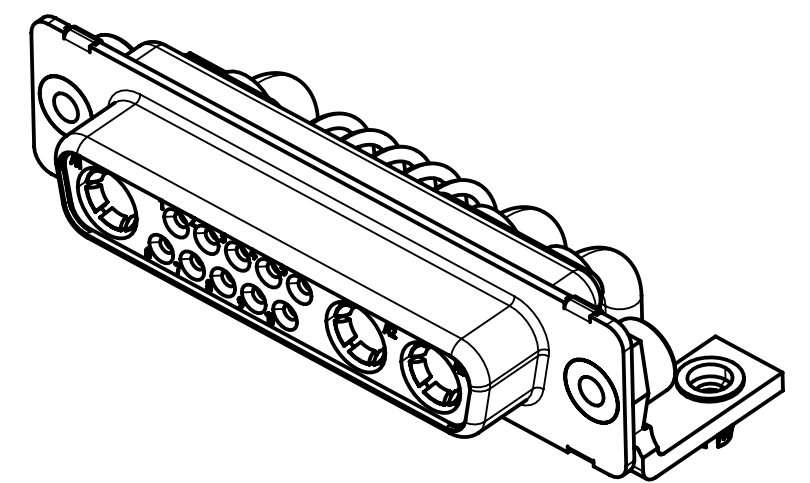
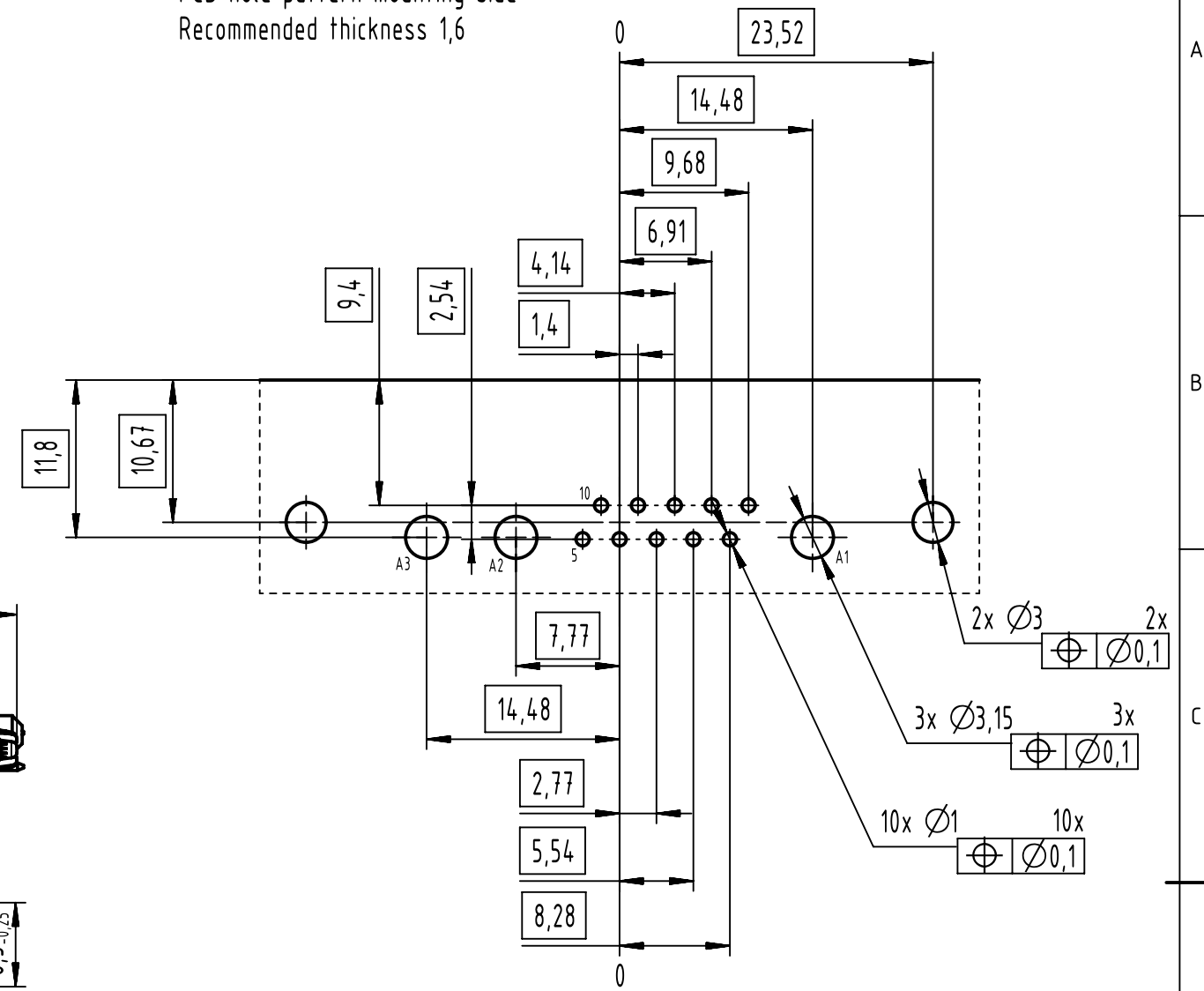


PCB hole pattern mounting side
Recommended thickness 1,6



0969 300 9117	NM30
Part number	Performance level

 All rights reserved Department EL PD HARTING D-32339 Espelkamp	All Dimensions in mm Original Size DIN A3	Scale 2:1	Free size tol.	Ref. Sub.
	Created by ZHUANGJ	Inspected by LUOK	Standardisation ROEBEN	Date 2022-02-08
Title D-Sub M 13W3 ANG FE 20A UNC NM30 BL				Doc-Key / ECM-Nr. 100945405/UGD/000/C 500000211142
Type TB		Number 09693009117		Rev. C Page 1/1