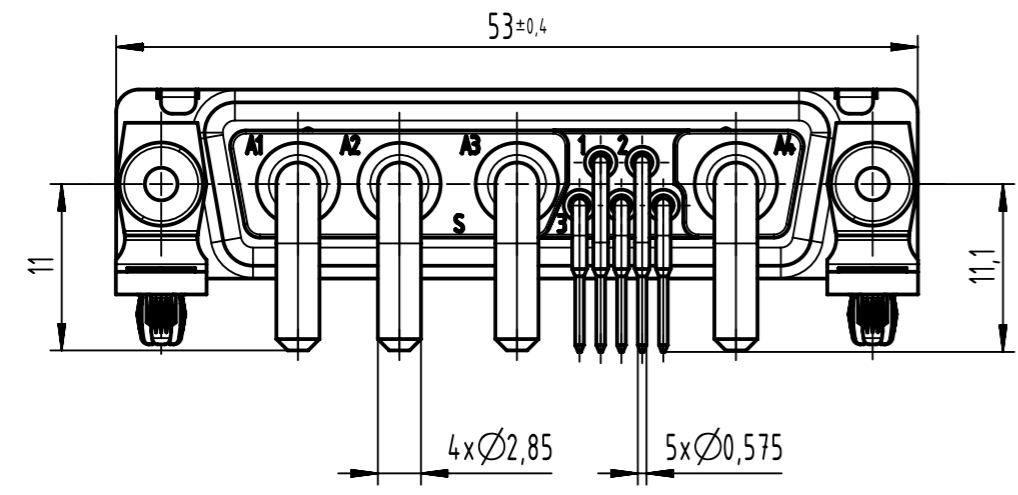
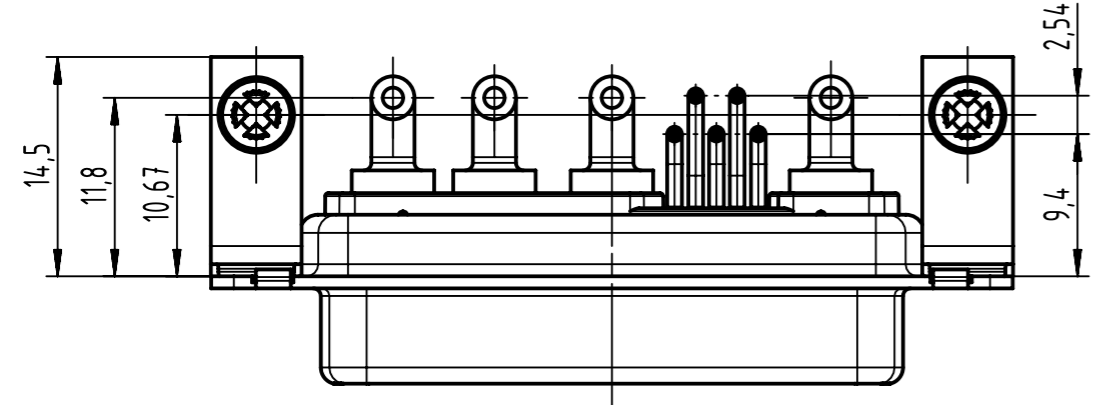
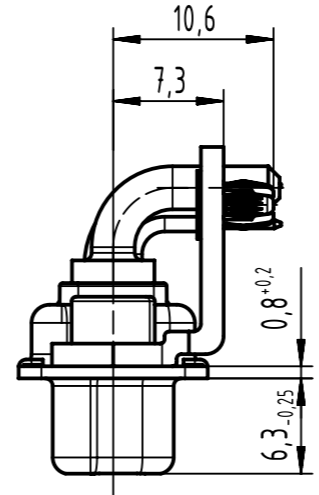
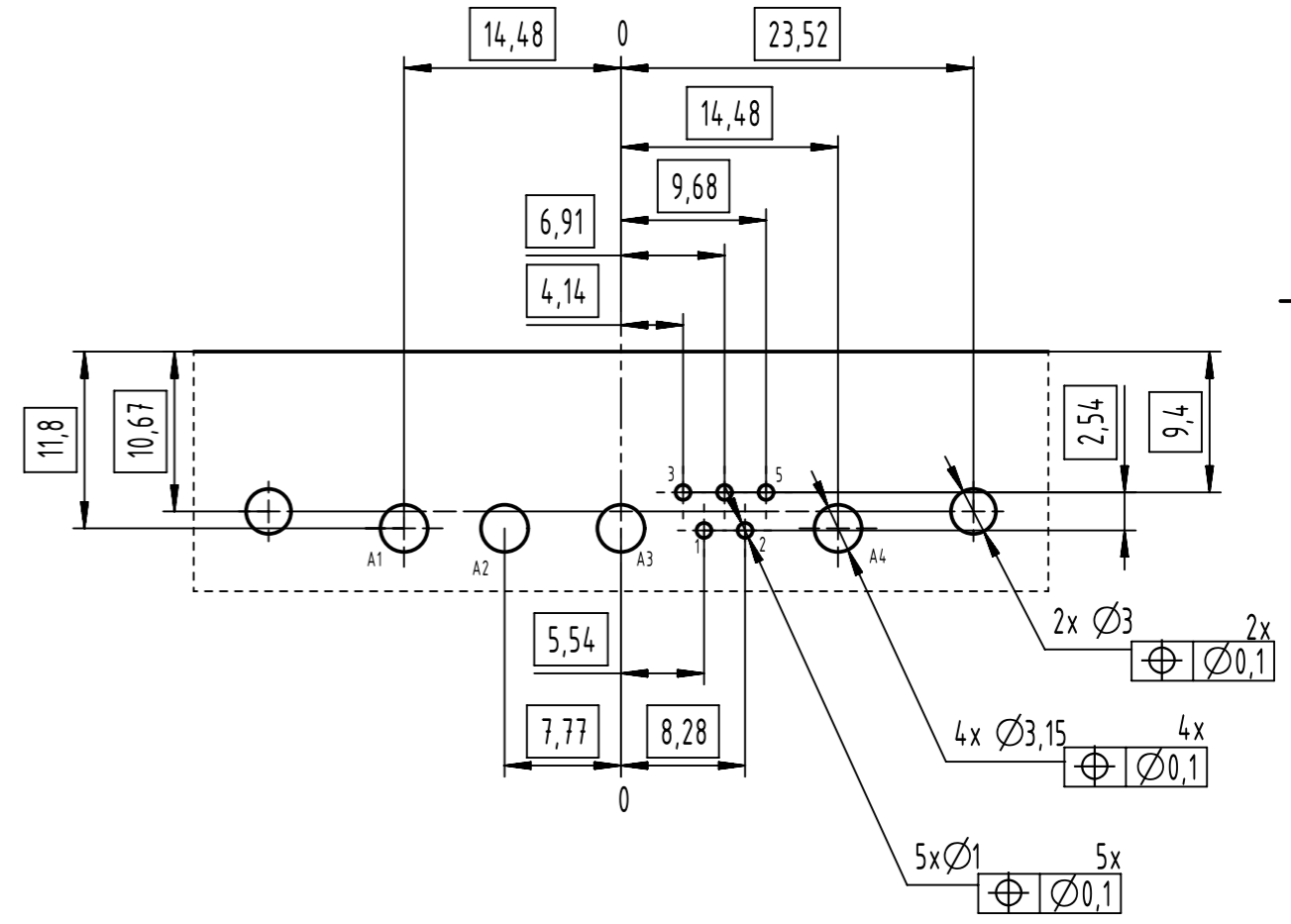


PCB hole pattern mounting side
Recommended thickness 1,6



09693009106	NM30
Part number	Performance level

	All rights reserved	Created by ZHUANGJ	Inspected by LUOK	Standardisation ROEBEN	Date 2022-02-08	State Final Release
	Department EL PD	Title D-Sub M 9W4 ANG FE 20A UNC NM30 BL		Doc-Key / ECM-Nr. 100989546/UGD/000/A 500000211142		
HARTING D-32339 Espelkamp	Type TB	Number 09693009106		Rev. A	Page 1/1	