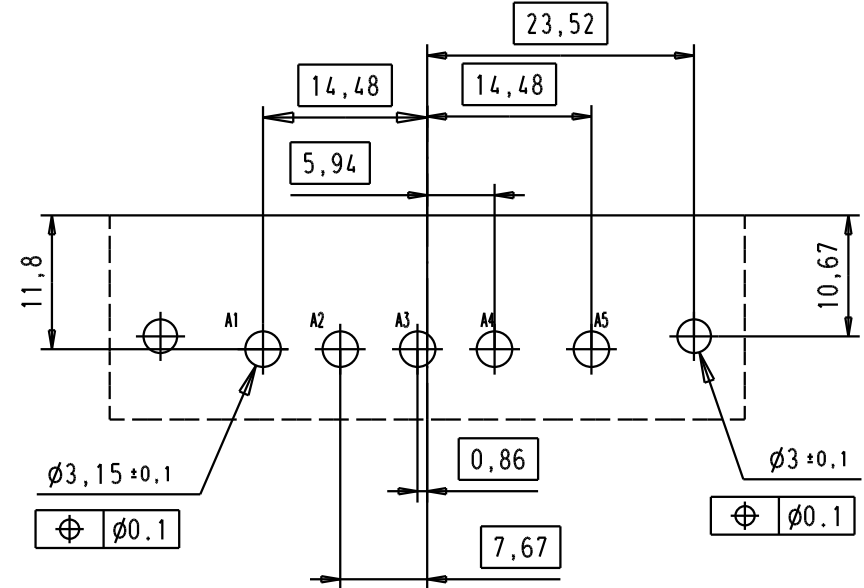
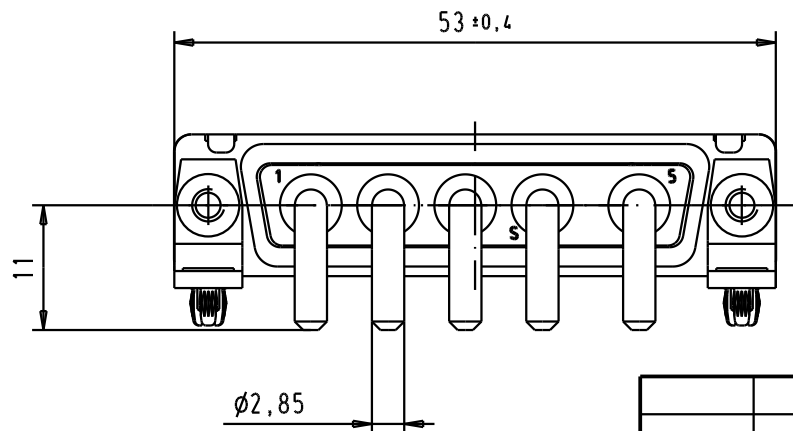
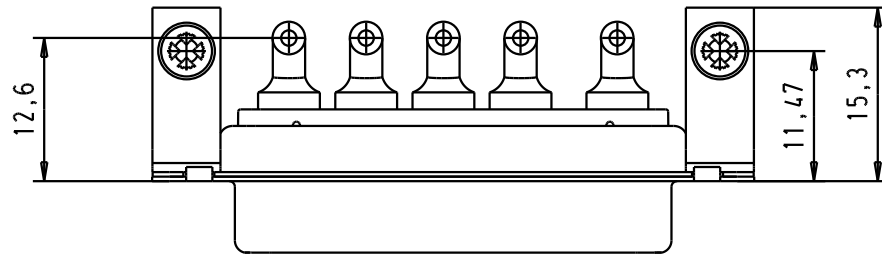


PCB Layout, component side, thickness 1.6 mm



				Det.	Name	 All Dim. in mm Orig. Size DIN A 4	D-Sub, female, angled, 5W5, 20 A power contact, solder pins, tin plated shell, clinch nuts and board-locks	Maßstab/ Scale 1,5:1
			Detail.	28/07/05	JMDR			
			Insp.					
			Stand.					
32981	28/07/05	JMDR	HARTING EURL F-95972 Paris				TB 09 69 300 9104	Blatt/ Page 1 / 1
Mod.	Det.	Name						