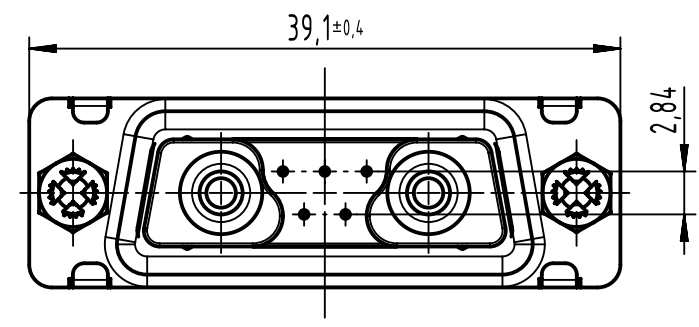
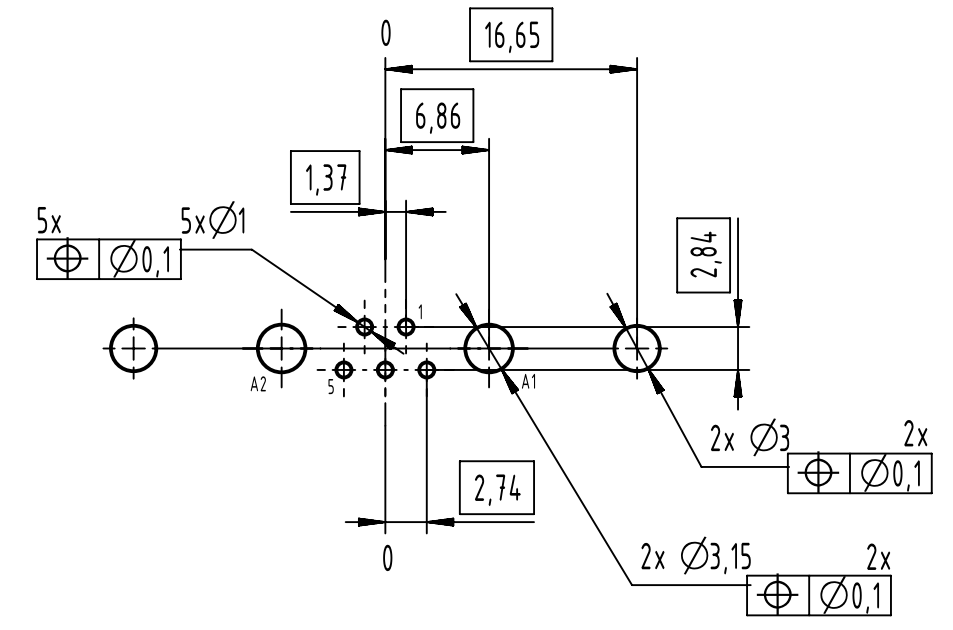


PCB hole pattern mounting side  
Recommended thickness 1,6



09692009283	NM30
Part number	Performance level

	All rights reserved	Created by ZHUANGJ	Inspected by LUOK	Standardisation ROEBEN	Date 2022-08-19	State Final Release	
	Department EL PD	Title D-Sub M 7W2 STR FE 20A UNC NM30 BL				Doc-Key / ECM-Nr. 100989553/UGD/000/B 50000223769	
HARTING D-32339 Espelkamp	Type TB	Number 09692009283				Rev. B	Page 1/1