

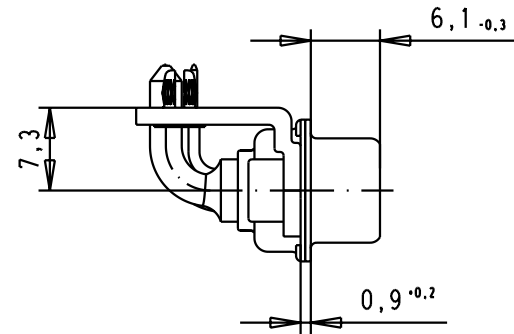
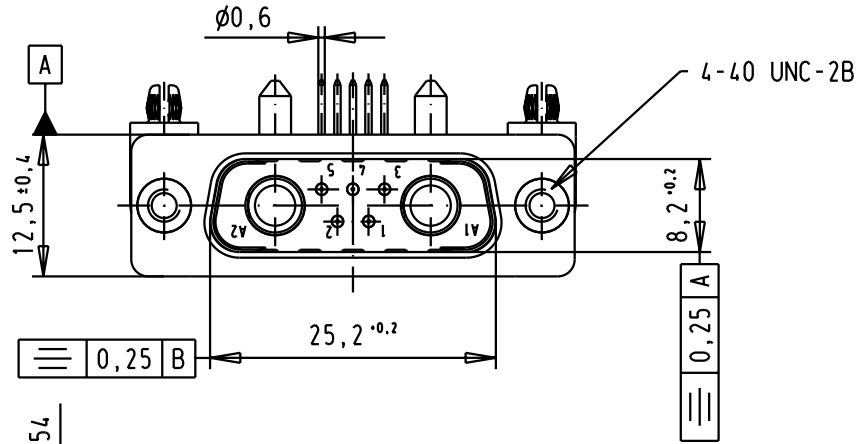
5

4

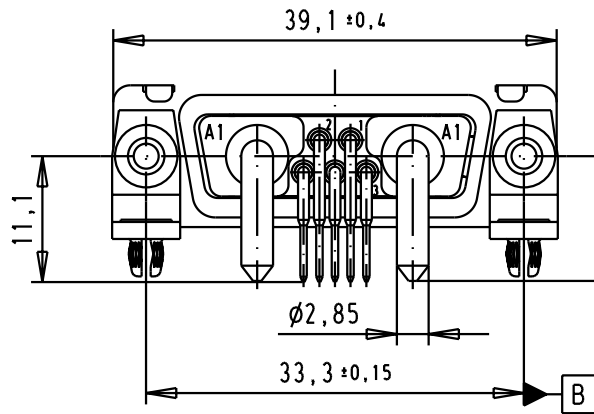
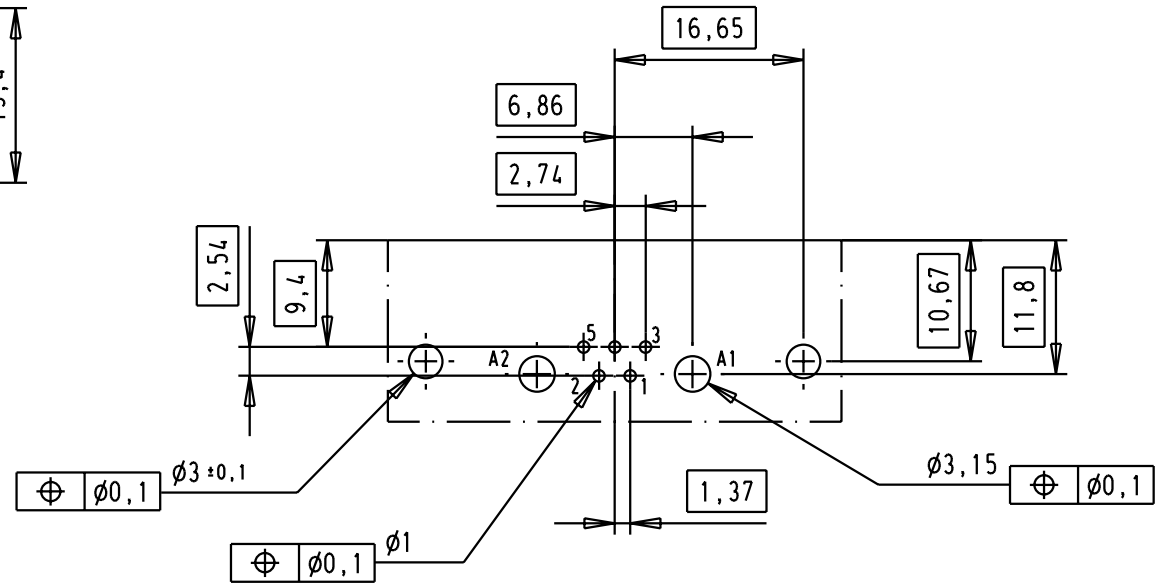
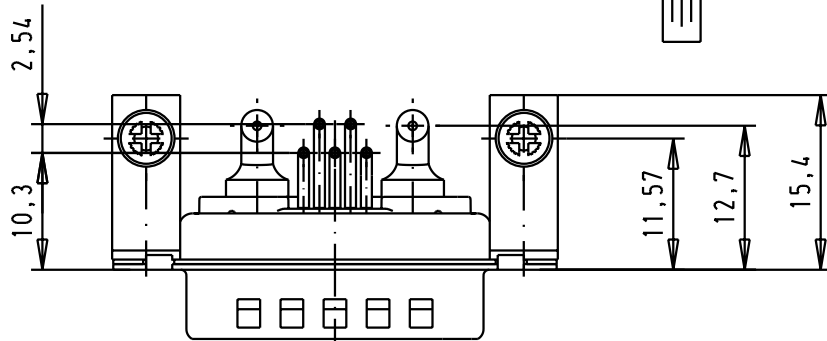
3



2

1



PCB layout, component side,
PCB thickness 1,6mm



Mod.	Dat.	Name	Dat.	Name	 All Dim. in mm Orig. Size DIN A 4	D-Sub, male, angled, 7W2 20 Amp, solder, with tin plated shell with dimples, nut and clip	Maßstab/ Scale	
			Detail.	9-JUL-02			CV	1.5:1
			Insp.					
			Stand.					
31059	9-JUL-02	CV	HARTING EURL F-95972 Paris				TB 09692009032	Blatt/ Page 1 /
							Sub.	