

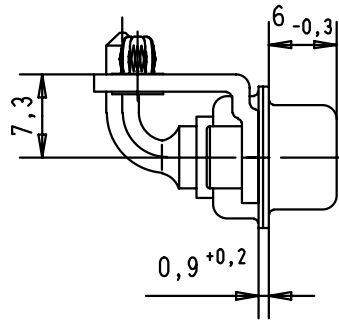
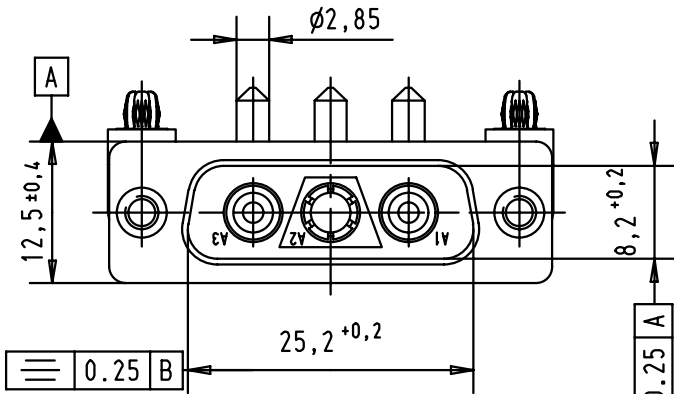
5

4

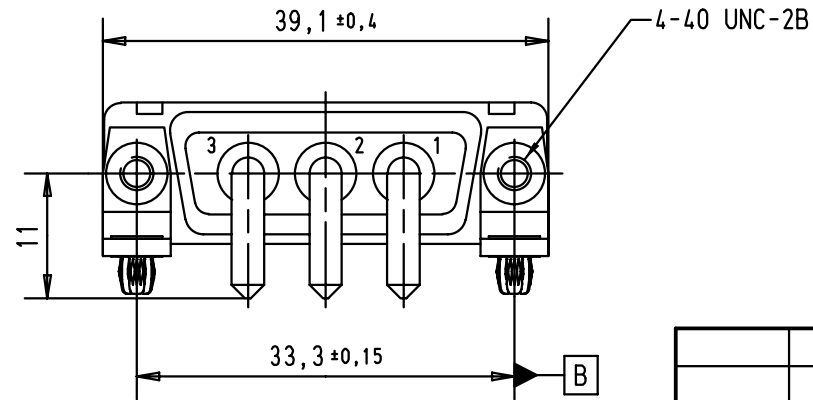
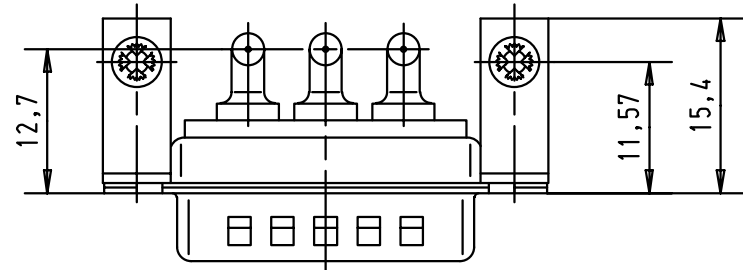
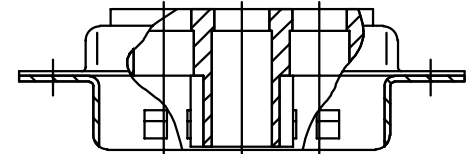
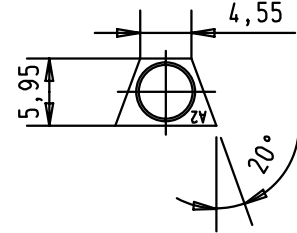
3

2

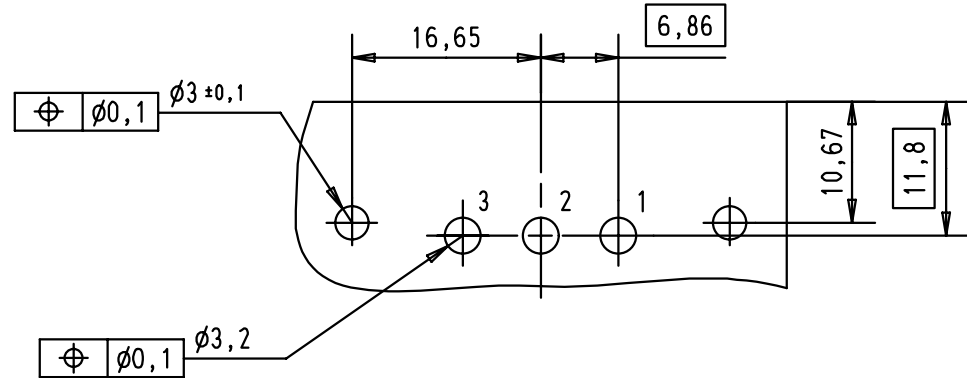
1

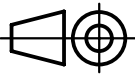



detail: coding



PCB layout, component side



				Det.	Name	 All Dim. in mm Orig. Size DIN A 4	D-Sub, male, angled, 3W3 - 20 Amp, solder, with tin plated shell with dimples, nut and clip	Maßstab/ Scale
			Detail.	05-APR-02	CV			1,5:1
			Insp.					
			Stand.					
29765	08-APR-02	CV	HARTING EURL F-95972 Paris				TB 09 69 200 9006	Blatt/ Page
Mod.	Det.	Name					Sub.	1 1