

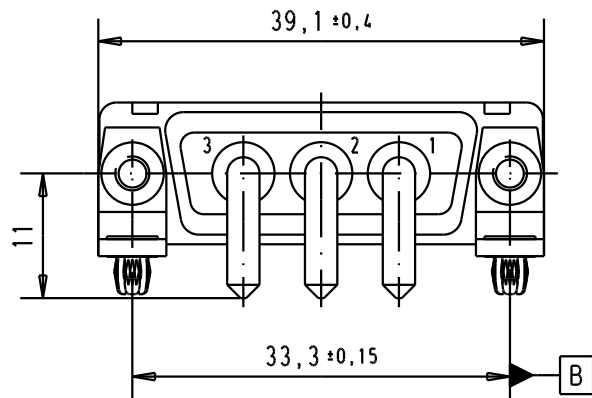
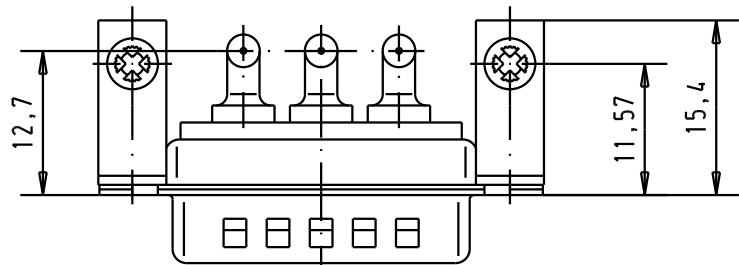
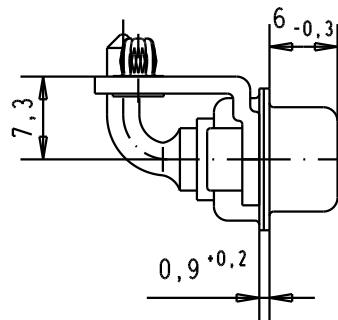
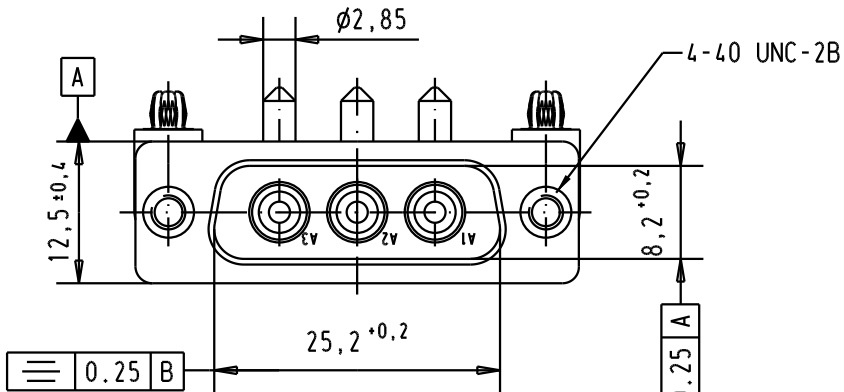
5

4

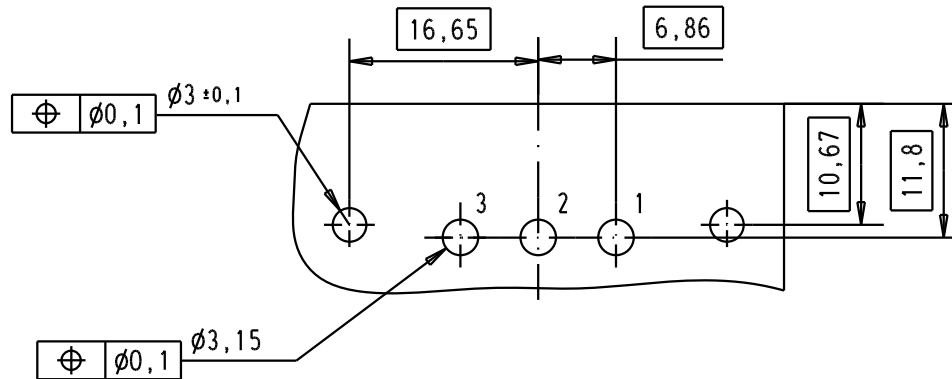
3



2

1



PCB layout, component side



				Detail.	Dat.	Name	 All Dim. in mm Orig. Size DIN A 4	D-Sub, male, angled, 3W3 - 20 Amp, solder, with tin plated shell with dimples, nut and clip	Maßstab/ Scale
			Insp.			1,5:1			
			Stand.						
31384	17/01/03	AF	HARTING EURL F-95972 Paris					TB 09 69 200 9051	Blatt/ Page
Mod.	Dat.	Name						Sub.	1 / 1