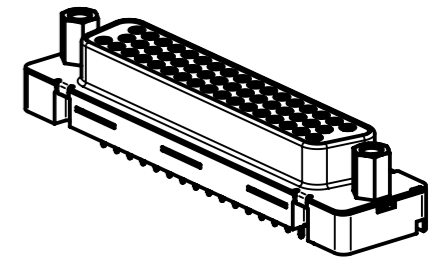
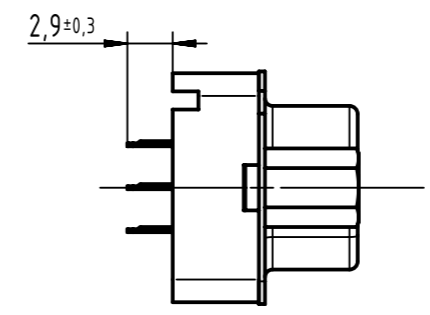
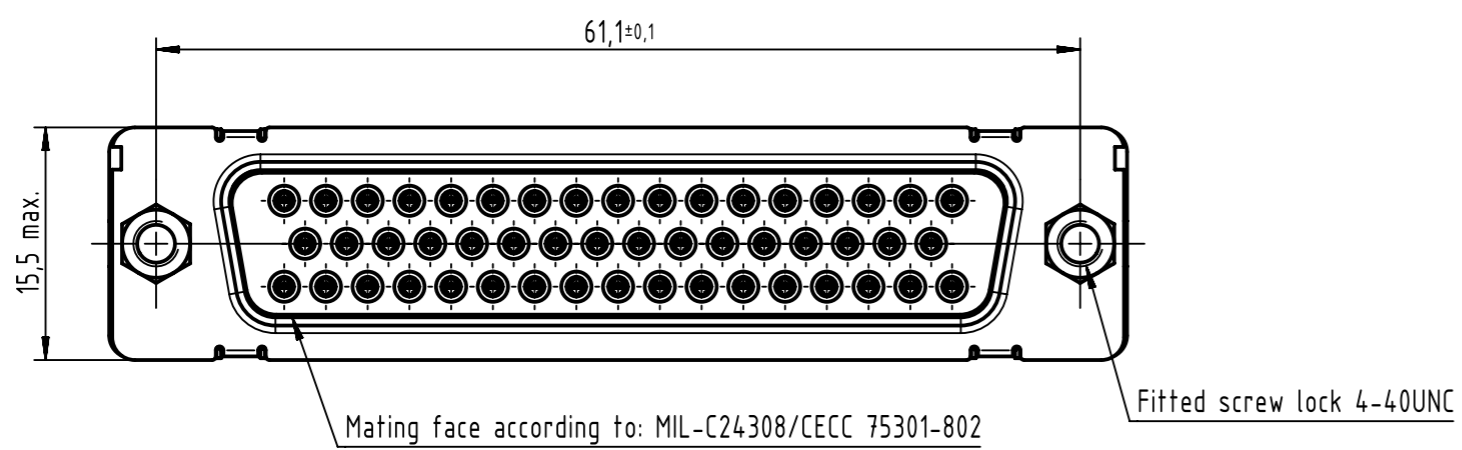
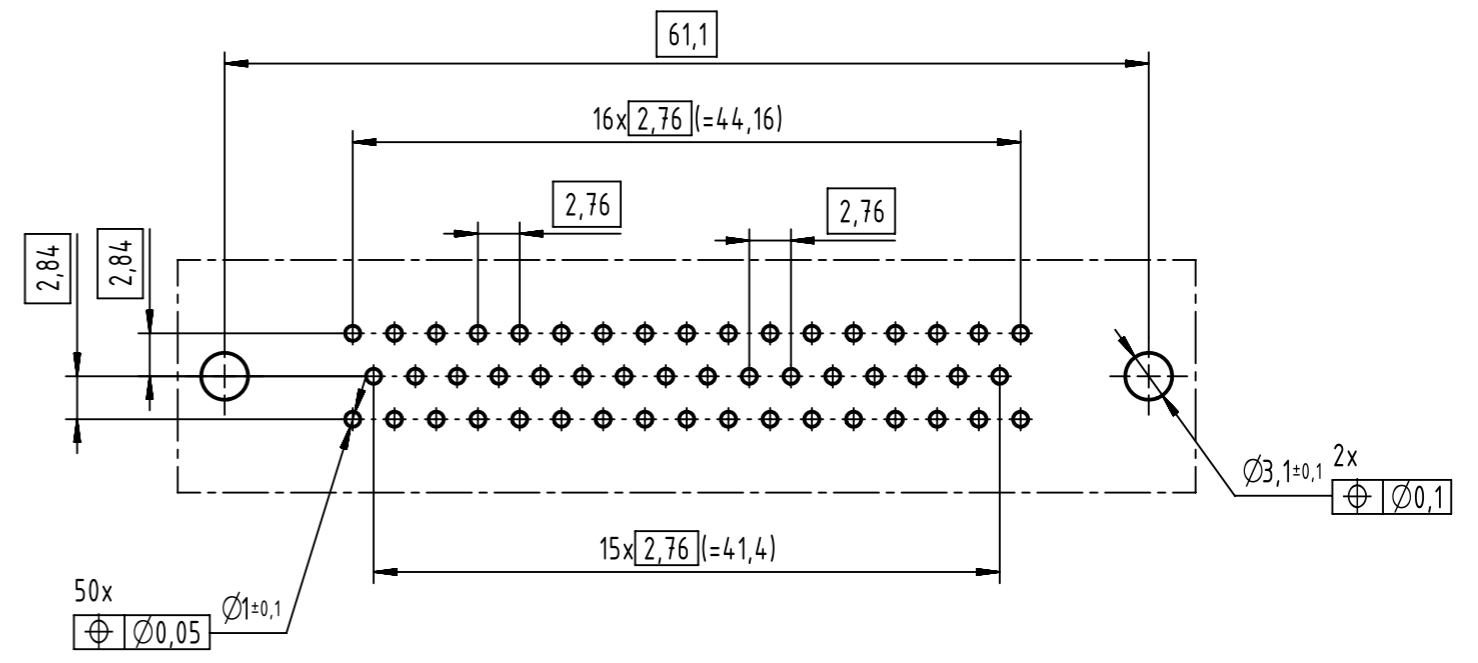
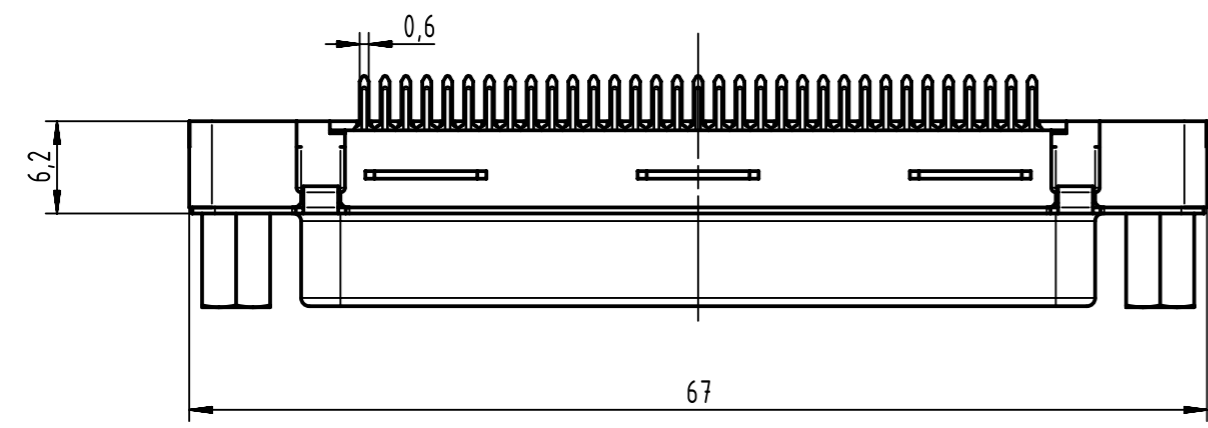


1 2 3 4 5 6 7 8

A B C D E F



PCB layout, component side



| | |
|---------------|-------------------|
| 0966 511 3503 | 1 |
| 0966 511 6503 | 2 |
| 0966 511 7503 | 3 |
| Part number | Performance level |

| | | | | | | |
|---|---------------------|---|--------------------|---|-----------------|---------------------|
| | All rights reserved | Created by ZHUANGJ | Inspected by LUOK | Standardisation KOHLER | Date 2015-12-21 | State Final Release |
| | Department EL PD | Title D-Sub straight 50-pole fem with fitted screw lock ass | | Doc-Key / ECM-Nr. 100641579/UGD/000/B 50000098742 | | |
| HARTING Electronics GmbH D-32339 Espelkamp | | Type TB | Number 0966511X503 | | Rev. B | Page 1/1 |

1 2 3 4 5 6 7 8

F A3