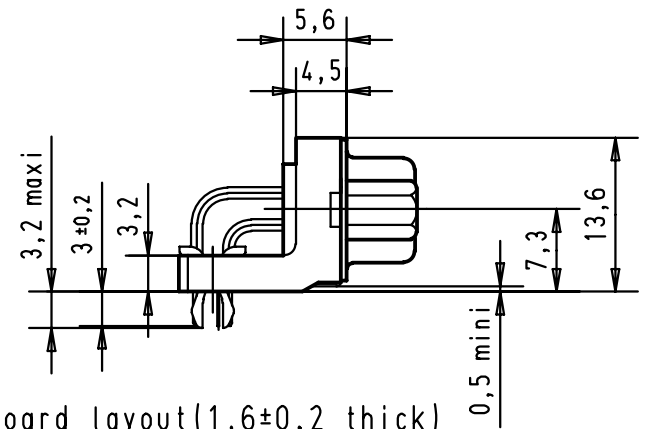
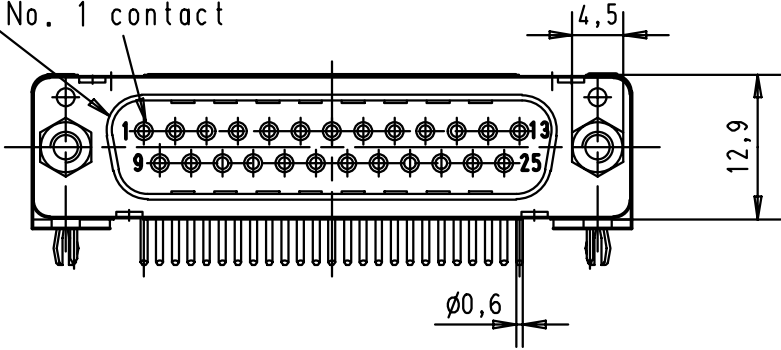
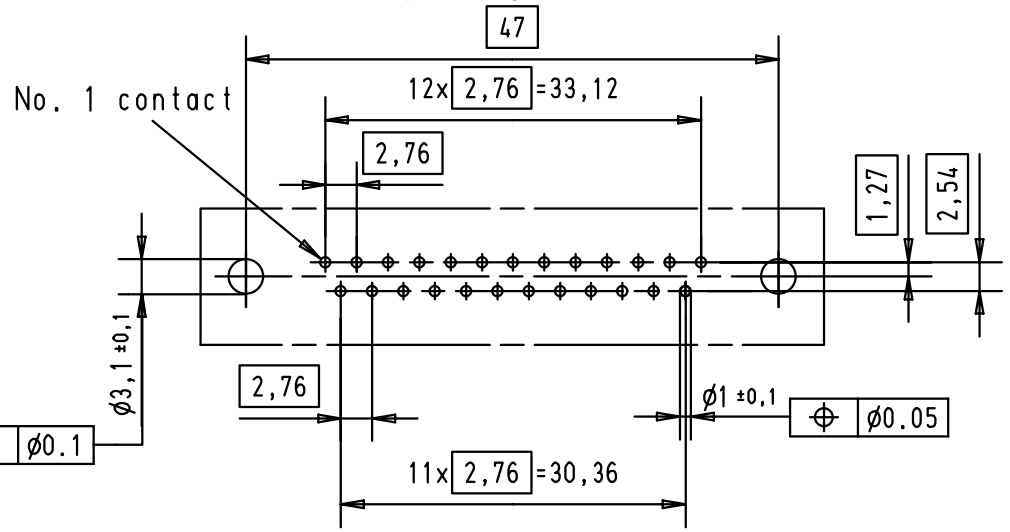
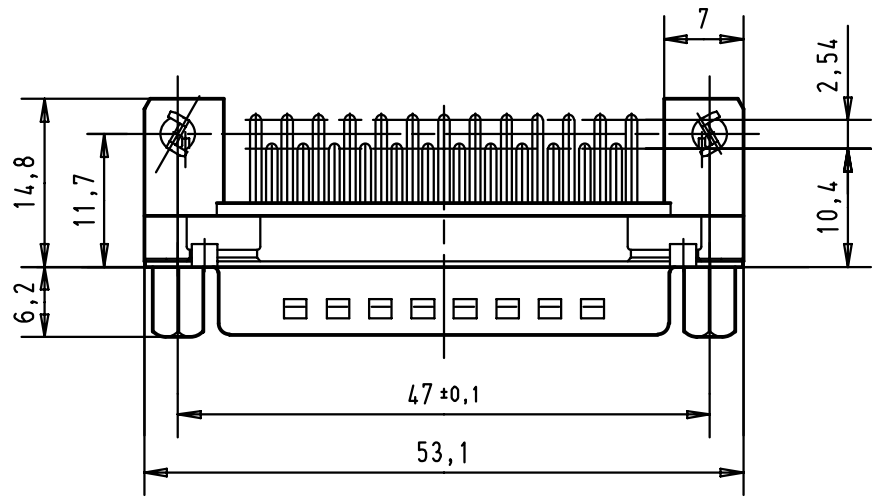


Mating face according to MIL-C-24308 / DIN 41 652 / CECC 75301-802

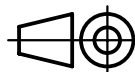

No. 1 contact



Printed board layout (1,6±0,2 thick)
View component side
(PCB plating = Tin)



Mounting force on Printed board : 25 - 80 N

						Detail.	Dat.	Name	 All Dim. in mm Orig. Size DIN A 4	D-Sub male standard 25 poles with solder pins, screw-lock, board lock and grounding pins	Maßstab/ Scale	
						Insp.					1,5:1	Blatt/ Page
						Stand.						
09 66 362 6813	4-40 UNC	2							 TB 09 66 362 X81X	3		
09 66 362 7813	4-40 UNC	3										
09 66 362 5813	4-40 UNC	0,76 µm Au	29725	26-OCT-01	JB	HARTING EURL						
Part number	screw-lock	Performance level	Mod.	Dat.	Name	F-95972 Paris	Sub.					