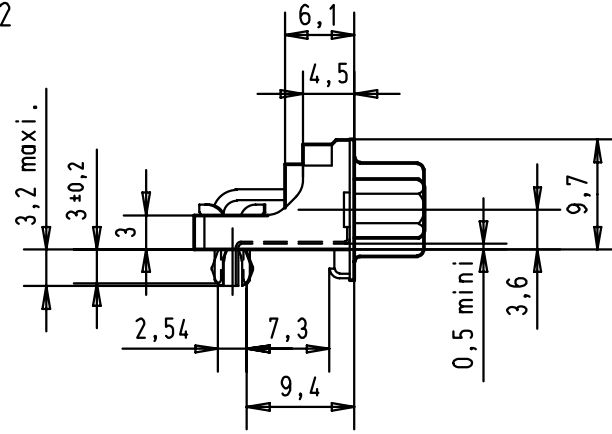
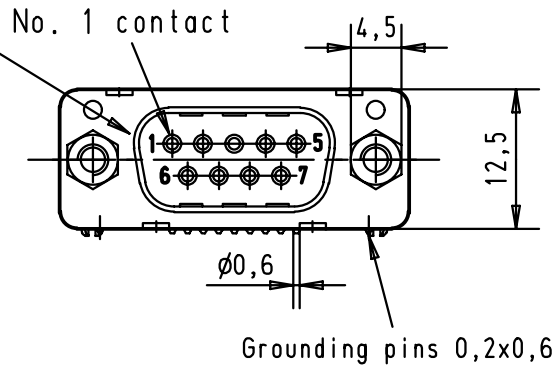
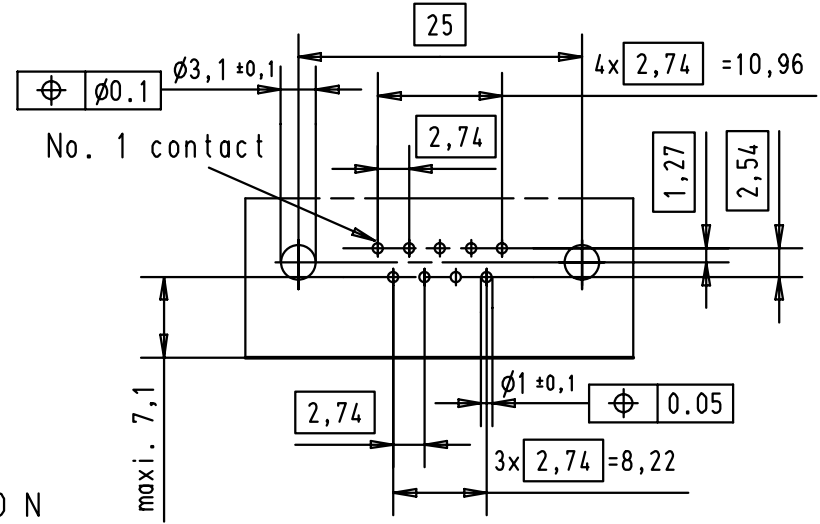
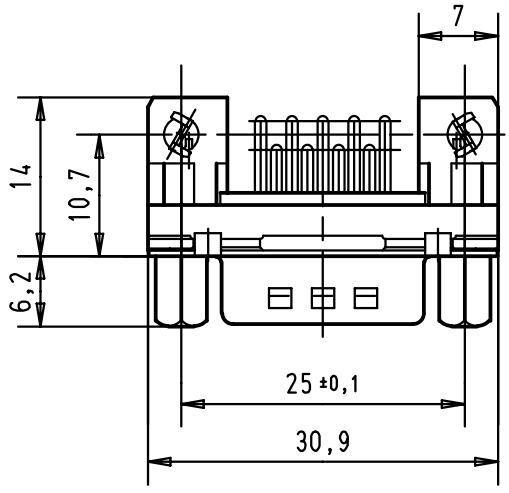


5 4 3 2 1

Mating face according to MIL-C-24308 / DIN 41 652 / CECC 75301-802



Printed board layout (1,6±0,2 thick)
View component side
(PCB plating = Tin)



Mounting force on Printed board : 25 - 80 N

A						Detail.		Name		D-Sub male low profile 9 poles with solder pins, screw-lock, board lock and grounding pins		Maßstab/ Scale	
						23-NOV-01		JB				1,5:1	
						Insp.				All Dim. in mm Orig. Size DIN A 4			
09 66 162 6817	4-40 UNC	2				Stand.				TB 09 66 162 X81x		Blatt/ Page	
09 66 162 7817	4-40 UNC	3	29749	14-FEB-02	JB					Sub.		5	
09 66 162 5817	4-40 UNC	0,76 µm Au	29733	23-NOV-01	JB								
Part number	screw-lock	Performance level	Mod.	Dat.	Name			HARTING EURL F-95972 Paris		HARTING			