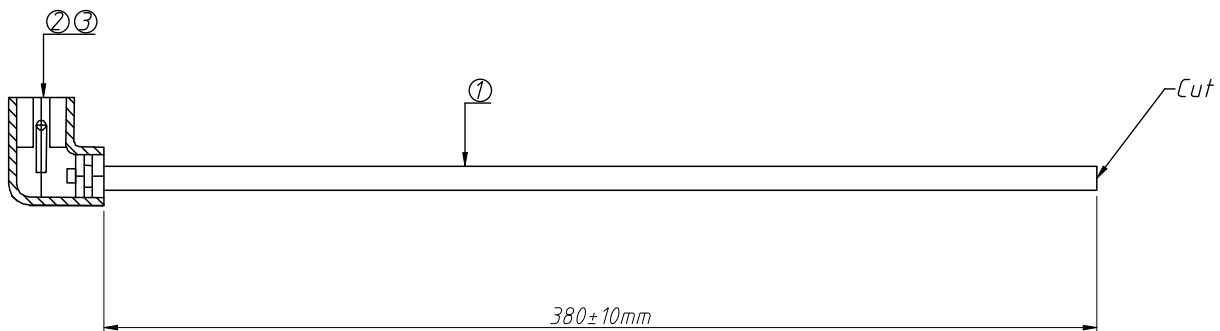


1
RoHS Compliance

6		7		8	
REV	SYM	Revision Record		Appr.	Date
V0	KLS17010	New Version Release		Song	2023-12-30



3	Sheath	110 TYPE, Transparent	1
2	Terminal	110 TYPE	1
1	Wire	UL 1007, 18#, Blue, L=380	1
NO.	NAME	TYPE	Quantity

Technical Requirement:

1. The appearance should be complete, smooth, and free of damage, stains, and other defects
2. The tin coating on each end is uniform and free of defects such as burrs.

ANGLE TOLERANCE	PROJECTION	Description:			
±3°		Wire Harness			
GENERAL TOLERANCE	UNITS	mm	KLS P/N:	CAB05-2.8-L380-1	
x.x ±0.30	SHEET SIZE	A4			
x.xx ±0.20	Draw:	Song	2023-12-30	NingBo KLS ELECTRONIC CO.,L TD.	
x.xxx ±0.10	Check:	Daniel	2023-12-30		