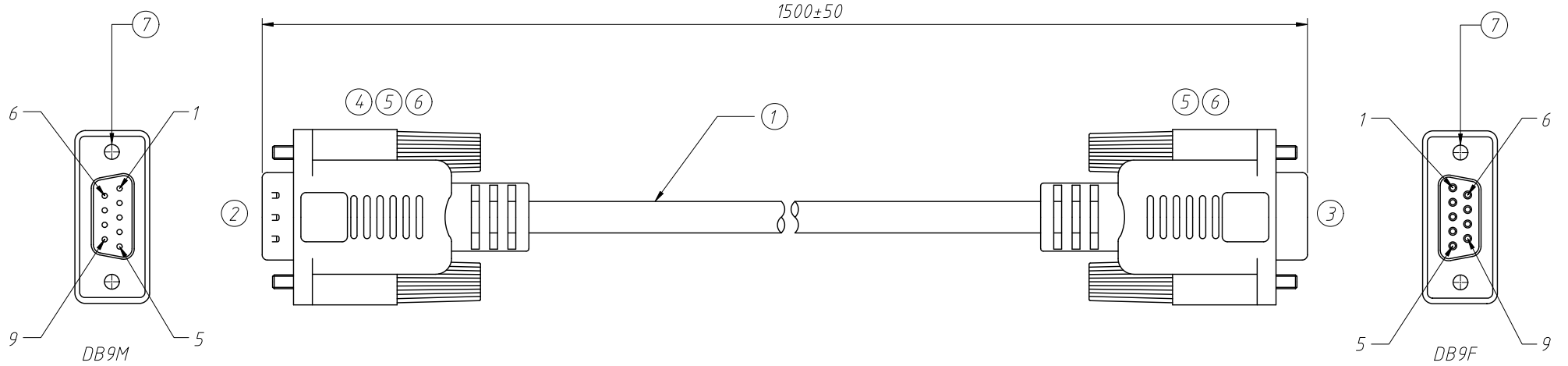


REV	SYM	Revision Record	Appr.	Date
V0	KLS17120	New Version Release	Jenny	2023-12-07

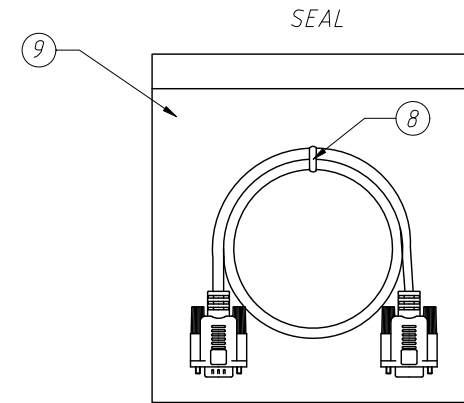
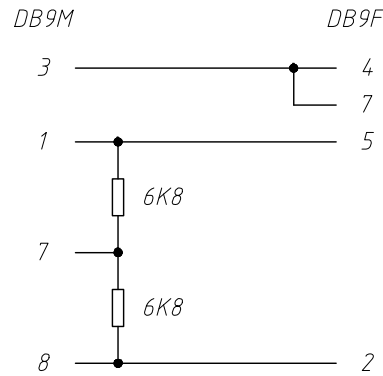


Material:

- 1.Cable:2464 24AWGx3C OD:4.2 Color Orange
- 2.Connector:DB9P Male Solder Type Blue/Nickel
- 3.Connector:DB9P Female Solder Type Blue/Nickel
- 4.Resistance:DIP 1/6W 6K8
- 5.Inner Mold:PE
- 6.Outer Mold:45P PVC,Color Orange
- 7.Screw:#4-4oUNC PVC Orange
- 8.Mini Tie:Color Black
- 9.PE Bag:Color Transparent

Notes:

- 1.100% Test Open, Short & Miswire.
- 2.packing: 1Pce/bag.



ANGLE TOLERANCE	PROJECTION	Description:	DB9M/F-1M5 Cable Assemblies	
±3°				
GENERAL TOLERANCE	UNITS	mm	KLS P/N:	CAB05-DB9M-L1.5M
x.x ±0.30	SHEET SIZE	A4		
x.xx ±0.20	Draw:	Jenny	2023-12-07	
x.xxx ±0.10	Check:	Daniel	2023-12-07	

NingBo KLS ELECTRONIC CO.,L TD.