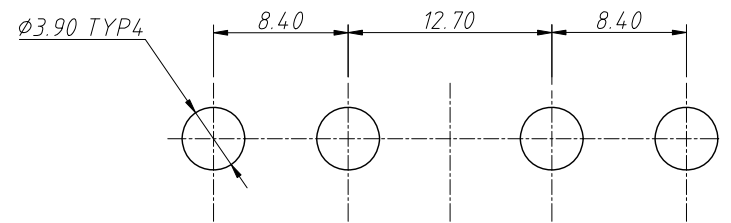
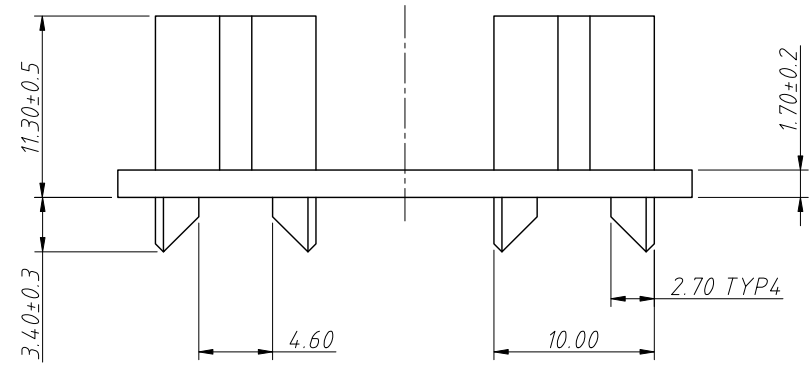
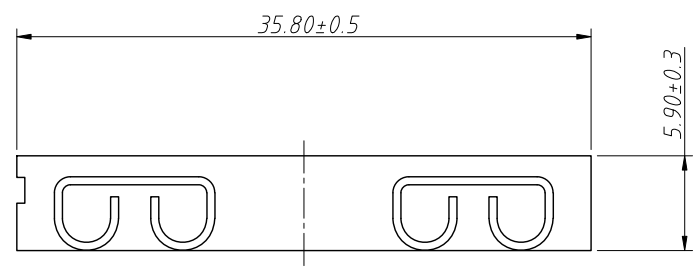


1
RoHS Compliance

REV	SYM	Revision Record	Appr.	Date
V0	KLS05184	New Version Release	Song	2023-11-27



Mounting Detail For Two Clips

- Notes: Unless Otherwise Specified
1. Material: Contacts: Copper, Tin Plated, T=0.5mm
Insulator: Nylon PA+GF, UL 94 V-0, Or Equivalent
 2. Removed Burrs And Sharp Edge
 3. Suitable Rated Current: 100A@500VAC
 4. Temperature: -50°C ~ +145°C
 5. Withstands Shock And Vibration
 6. Thru Hole PC Mountable,
Maintains Position During Wave Soldering
 7. Holds Fuse Securely Even After Multiple Insertions



ANGLE TOLERANCE	PROJECTION	Description:	AUTO Fuse Holder	
±3°				
GENERAL TOLERANCE	UNITS	mm	KLS P/N:	L-KLS5-721B-2P
	SHEET SIZE	A4		
x.xx ±0.15	Draw:	Song	2023-11-27	
x.xxx ±0.05	Check:	Daniel	2023-11-27	

NingBo KLS ELECTRONIC CO.,L TD.