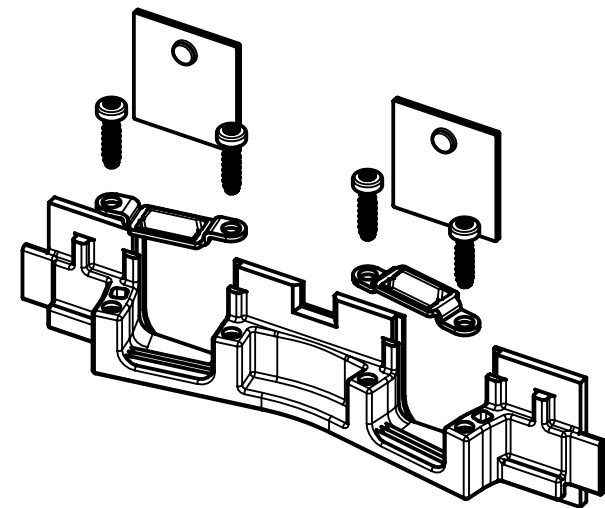
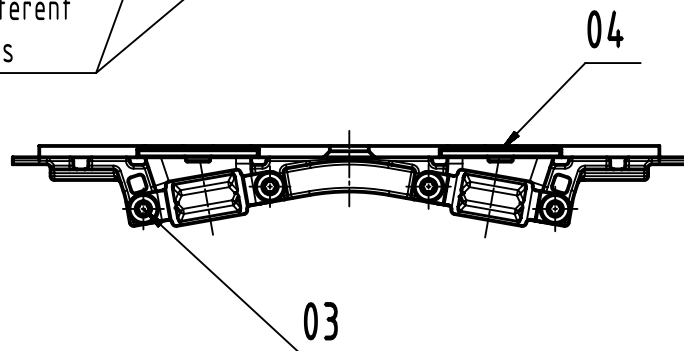



02
rotate for different
cable diameters



parts not assembled			spare parts:
content of a round cable insert set:			part no.
pos.	qty	description	
01	1	round cable insert D20 metallised	
02	2	cable clamp D20	09 06 048 9992
03	4	self-tapping screw 2,2x8-TX6	09 06 001 9979
04	2	blinding piece	

	All Dimensions in mm Original Size DIN A4	Scale 1:1	Free size tol.		Ref.
	All rights reserved Department EL PD	Created by STORCK	Inspected by LEHNERT	Standardisation SAP_WFRT	Sub.
HARTING D-32339 Espelkamp	Title DIN Power round cable insert D20 - metallised				Doc-Key / ECM-Nr. 100121382/UGD/003/C 500000205557
	Type TB	Number 09069009988		Rev. C	Page 1/1