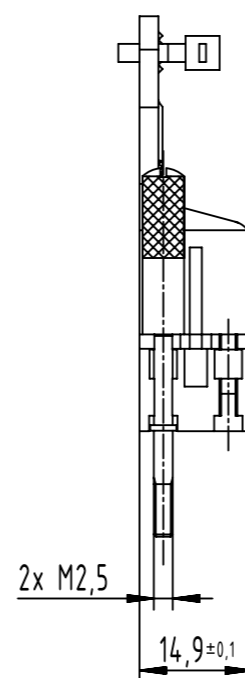
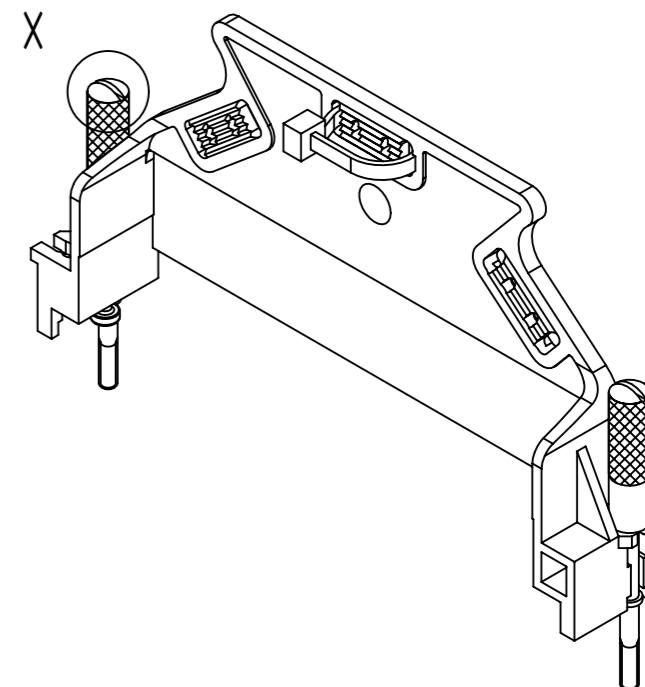
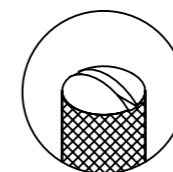


X (2:1)



| content open hood | | | spare parts |
|-------------------|--------|------------------------------|----------------|
| pos. | number | description | part no. |
| 01 | 1 | open hood G | 09 06 000 9959 |
| 02 | 2 | locking screw with slot M2.5 | 09 06 000 9958 |
| 03 | 2 | self-tapping screw M2.2x8-T6 | 09 06 001 9979 |
| 04 | 1 | cable tie | |

parts not assembled

| | | | | | | |
|--|---|--|----------------------|-------------------------|--|--------------------|
| | All rights reserved Department EL PD | All Dimensions in mm Original Size DIN A3 | Scale 1:1 | Free size tol. | Ref. | |
| | | HARTING D-32339 Espelkamp | Created by STORCK | Inspected by LEHNERT | Standardisation SAP_WFRT | Date 2022-01-25 |
| Title DIN Power open hood G - locking screw with slot | | | | | Doc-Key / ECM-Nr. 100180542/UGD/004/B 500000209861 | |
| Type TB | | Number 09060009957 | | | Rev. B | Page 1/1 |