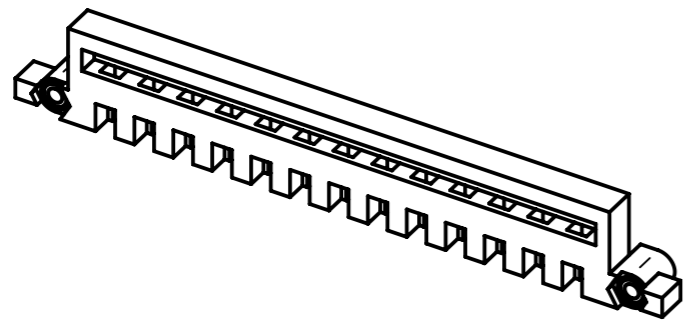
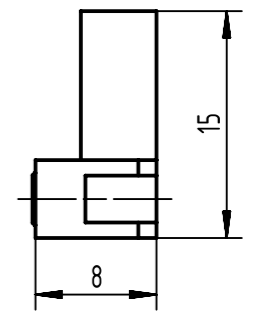
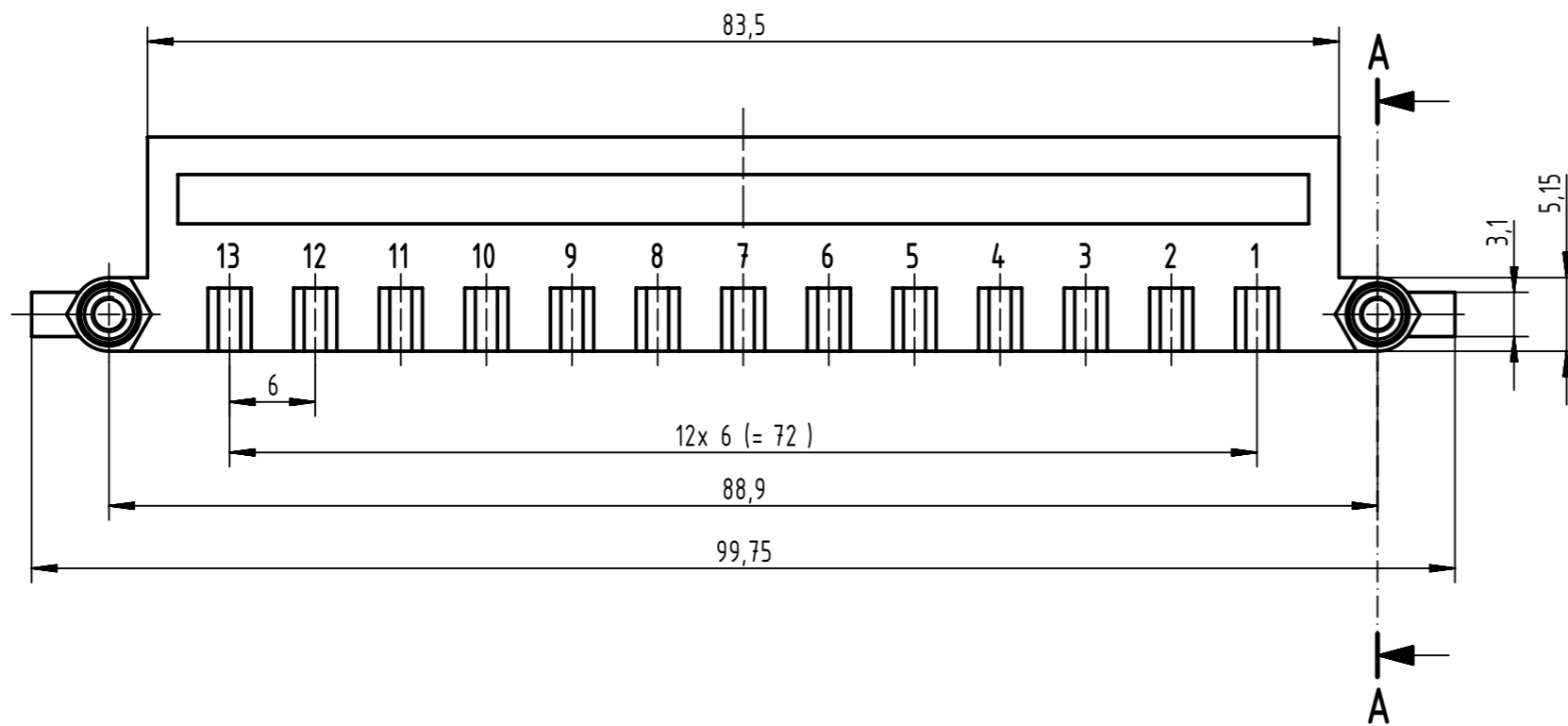
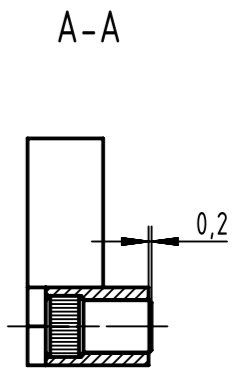


tightening torque
max. 30 cNm



	All rights reserved		Created by TADJE		Inspected by ELLERMANN		Standardisation HOFFMANN		Date 2013-08-15		State Final Release		
	Department EC PD - DE		Title code comb D20 for male connector, press-in nut		Doc-Key / ECM-Nr. 100517303/UGD/000/C 50000065386		Rev. C		Page 1/1				
HARTING Electronics GmbH D-32339 Espelkamp		Type TB		Number 09060019995		Ref. Sub. TB 09060019995, Rev. B, 24.05.2013, 50000062364		Scale 2:1		Free size tol.		All Dimensions in mm Original Size DIN A3	