

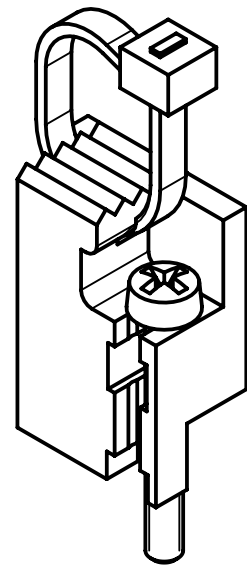
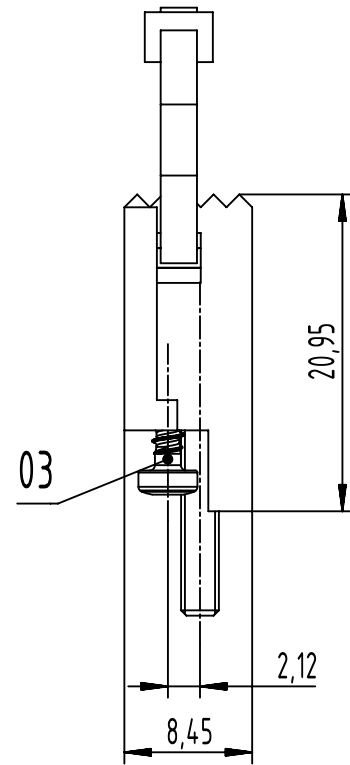
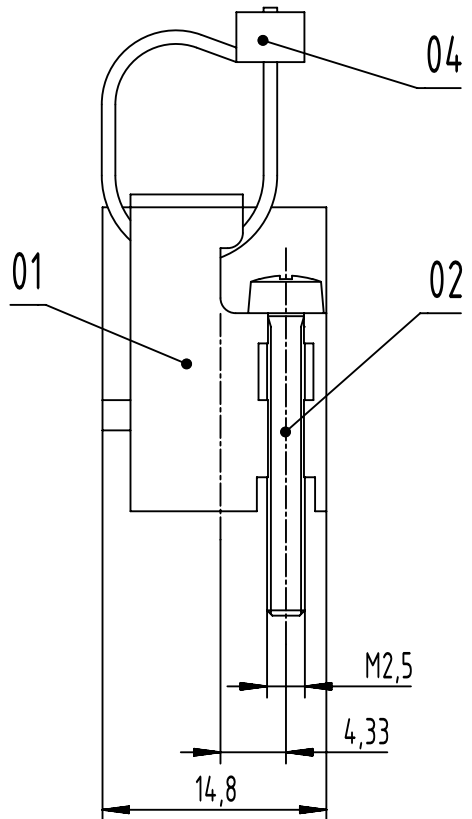
1 2 3 4 5 6

A

B


C

D



content junction element 0			spare parts
pos.	number	description	part no.
01	2	junction element	
02	2	pan head screw ISO 7045 M2.5x20-4.8-H	09 06 000 9926
03	2	self-tapping screw M2.2x8-T6	09 06 001 9979
04	2	cable tie	

parts not assembled

	All rights reserved		Scale 2:1	Free size tol.	Ref.
	Department EL PD		Created by STORCK	Inspected by LEHNERT	Sub.
HARTING		Title DIN Power type F junction element 0	Standardisation SAP_WFRT		Date 2022-01-25
D-32339 Espelkamp			Type TB	Number 09060009968	
					Doc-Key / ECM-Nr. 100120354/UGD/002/C 500000209801
					Rev. C
					Page 1/1