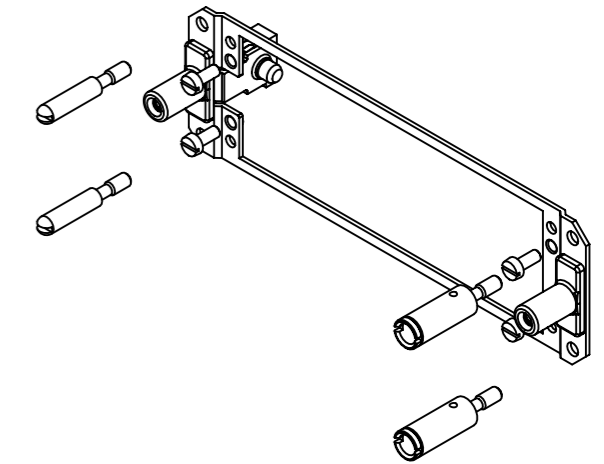
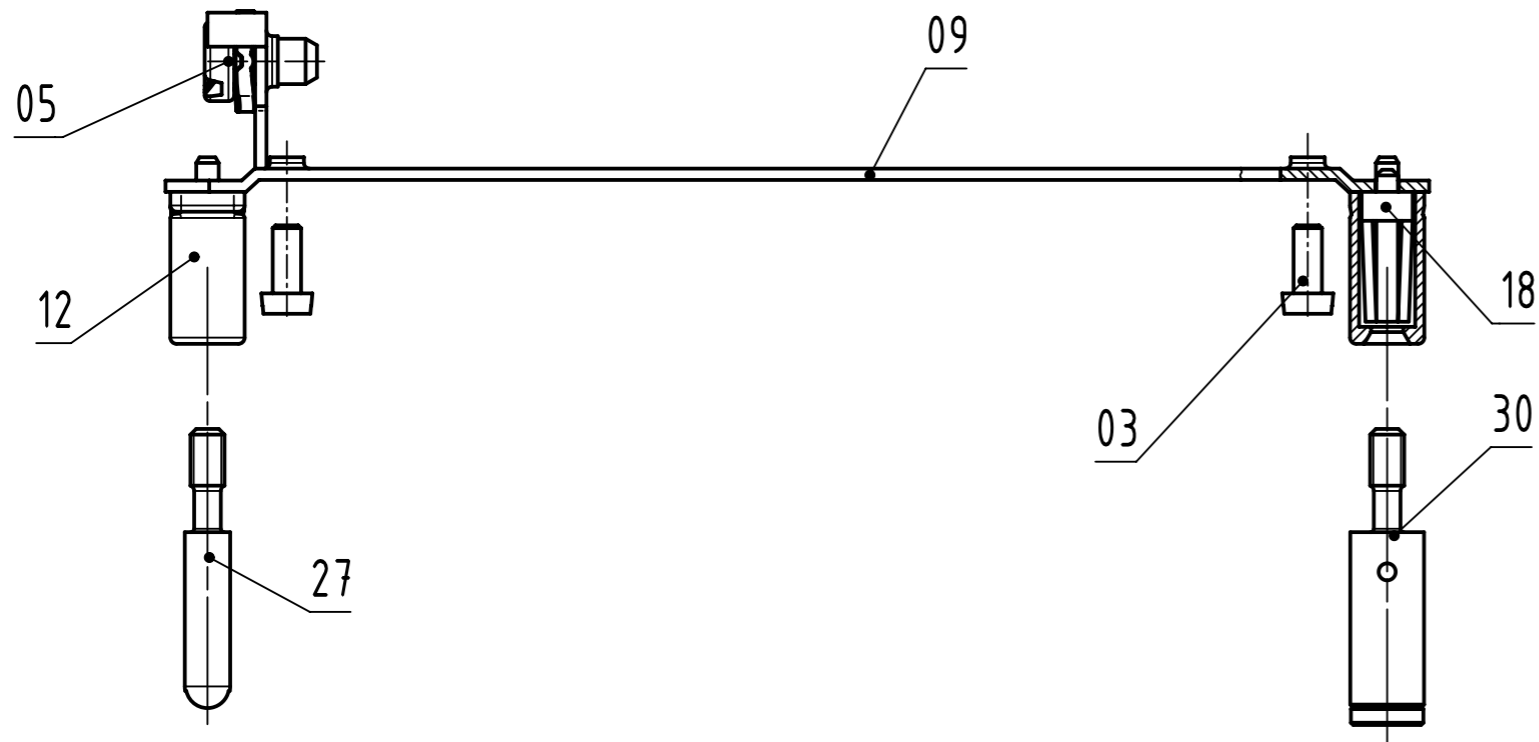


A-A



pos.	number	description
03	4	cap screw ISO 1207 - M2.5x6 not assembled
05	1	PE-screw and washer assembly
09	1	retaining frame
12	2	plastic hood
18	2	HAN E - contact socket for ES
27	2	guide pin HAN E/D not assembled
30	2	guide socket HAN E/D not assembled

1 rivethead  $\varnothing 2,03 \pm 0,03$   
torque to unfix riveting  $\geq 18 \text{Ncm}$

	All rights reserved Department EL PD	All Dimensions in mm Original Size DIN A3	Scale 3:2	Free size tol.	Ref. Sub.
		Created by ZWAHR	Inspected by LEHNERT	Standardisation SAP_WFRT	Date 2022-11-07
HARTING D-32339 Espelkamp		Title DIN Power retaining frame			Doc-Key / ECM-Nr. 100125054/UGD/006/C 500000229227
		Type TB	Number 09060019903		Rev. C Page 1/1