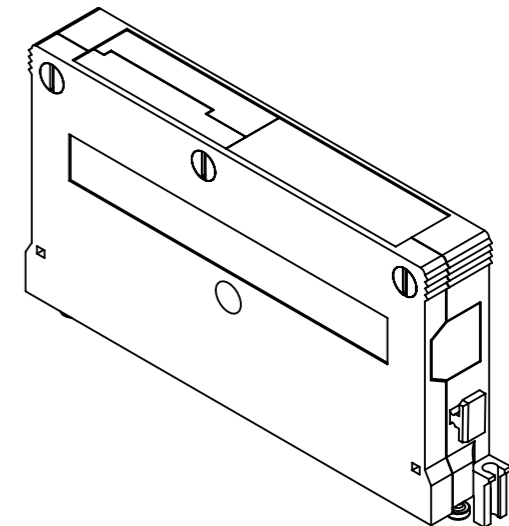
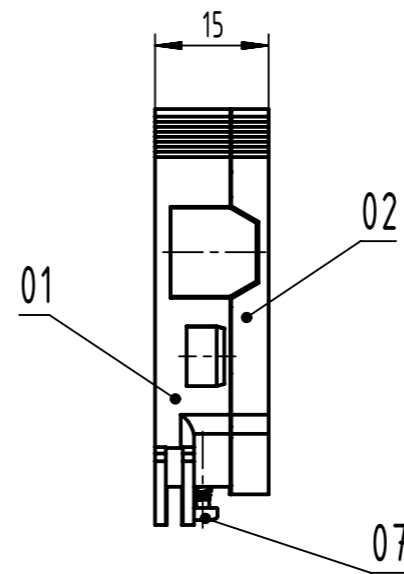
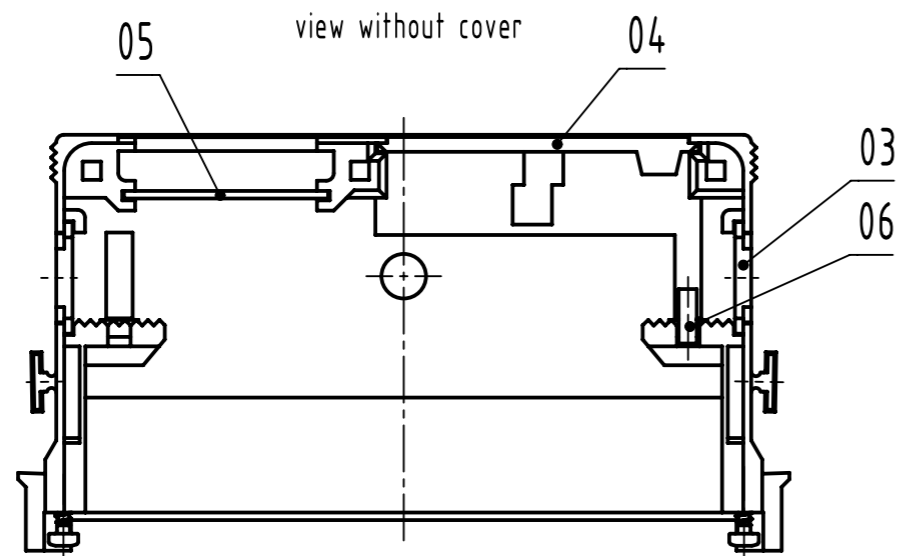


A
view without cover



content shell housing-set			spare parts
pos.	number	description	part no.
01	1	shell	
02	1	cover	
03	2	blinding piece	09 02 000 9905
04	1	blinding plate	
05	1	grounding plate	
06	1	cable tie	
07	2	self-tapping screw M2.2x8-T6	09 06 001 9979
08	3	tapping screw ISO 1483-ST2.9x13-F	
parts not assembled			

	All Dimensions in mm Original Size DIN A3		Scale 1:1	Free size tol.		Ref.	
	All rights reserved Department EL PD		Created by 00103855	Inspected by STORCK	Standardisation SAP_WFRT	Date 2022-02-15	State Final Release
HARTING D-32339 Espelkamp		Title DIN Signal shell housing B 15mm for female type B				Doc-Key / ECM-Nr. 100141649/UGD/002/B 500000211446	
		Type TB	Number 09020640502			Rev. B	Page 1/1