



**SAN CORE** Zhongshan Sancore Electronic co.,ltd



**XUYI OUGE ELECTRONIC CO.,LTD**

**Add:** No.9 Ruiping Rd, Luosha Village, Yongning Industrial, Xiaolan Town, Zhongshan City, Guangdong, China.



Tel: +86-760-22286356      Fax: +86-760-22286951  
Email:sales03@ougedianzi.com      Website:www.ougedianzi.com

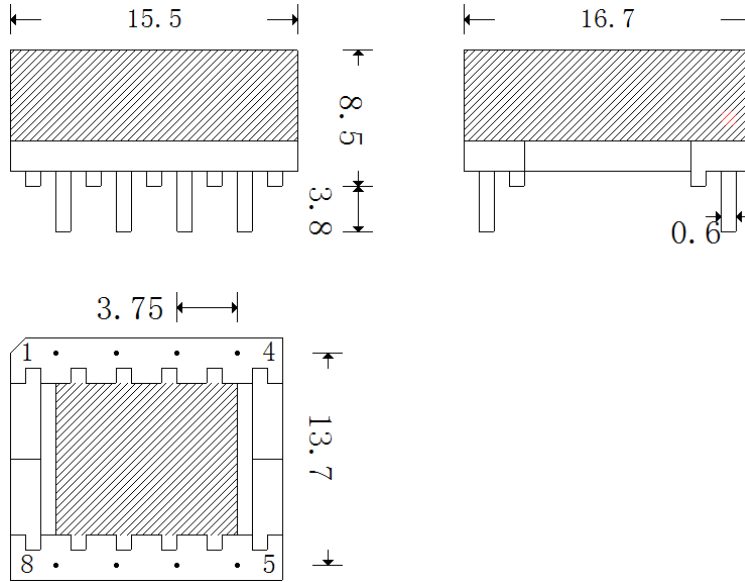
## ***SPECIFICATION FOR APPROVAL***

CUSTOMER NAME	Ozdisan		
Item No:	Transformer		
CUSTOMER NO:		CUSTOMER REVISION:	1.0
OUGE No:	SX-3788EFD15	OU GE REVISION:	A1

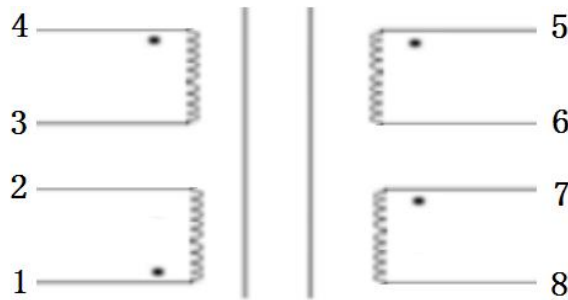
Note:Please send confirmation to us with signature and seal

sign and seal by seller			Sign and seal by buyer		
Preparer	Reviewer	Approver	Reviewer	Approver	confirmer
ZhiHua Zhang					
Date:	22th Jan. 2024		Date		

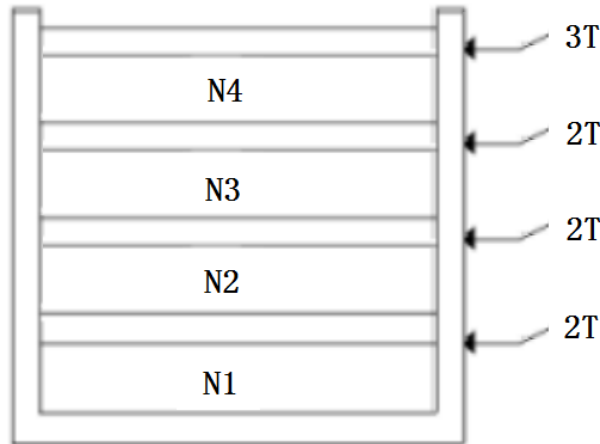
# 1. Dimensions (unit:mm)




# 2. Circuit dargram:



# 3. cross-section drawn:



 XuYi OuGe Electronic oc., ltd TEL: 0760-22131648 Fax: 0760-22286311	Ouge Item No	SX-3788EFD15		
	Name	Transformer		
	Revision	A1	Page No	1/3

#### 4. winding process:

No	Pin(start-stop)	specification of copper line	Turns	Tube	
				ST	FIN
N1	1-2	2UEW $\phi 0.18\text{mm} \times 1\text{P}$	142	/	/
N2	6-5	2UEW $\phi 0.40\text{mm} \times 1\text{P}$	17	/	/
N3	8-7	2UEW $\phi 0.40\text{mm} \times 1\text{P}$	13	/	/
N4	4-3	2UEW $\phi 0.18\text{mm} \times 1\text{P}$	11	/	/

#### 5. Description:

1. EFD1501 5+5 BOBBIN, Pin of length is  $3.8\text{mm} \pm 0.2\text{mm}$
2. EFD15.7-16/OGP44 core
3. transformer Vacuum immersion
4. coil pack by 10.0mm yellow tape. Core pack by 4.7mm yellow tape.
5. print SX-3788EFD15  
OG YYMMDD on the top of coil

#### 6. Electrical Parameter

##### ○, 1 Inductance

No	Pins	Specification	Test condition	Test equipment
1	1-2/3-4	$1.75\text{mH} \pm 10\%$	10.0KHZ 0.3V	TH2819XB

##### ○, 2 Leakage Inductance

No	Pins	Specification	Test condition	Test equipment
1	1-3	/	/	TH2819XB

XuYi Electronic Co., Ltd

TEL: 0760-22131648 Fax: 0760-22286311

Email: sales03@ougedianzi.com

Item No

SX-3788EFD15

Name

Transformer

Revision

A12

Page No

2/3

## 7. BOM List

No	Name	Specification	Remark
1	Ferrite core	EFD15. 7-16/OGP44	SGS
2	Bobbin	EFD1501 horizontal 4+4	SGS
3	Magnet wire	2UEW 155°C	E85640
4	Insulating oil	T1148-1	E228349
5	Diluent	T1148-1X	
7	High temperature tin	100H	SGS

XuYi OuGe Electronic oc.,ltd TEL: 0760-22131648 FAX: 0760-22286311 Email: sales03@ougedianzi.com	Item No	SX-3788EFD15		
	Name:	Transformer		
	Revision	A1	Page No	3/3