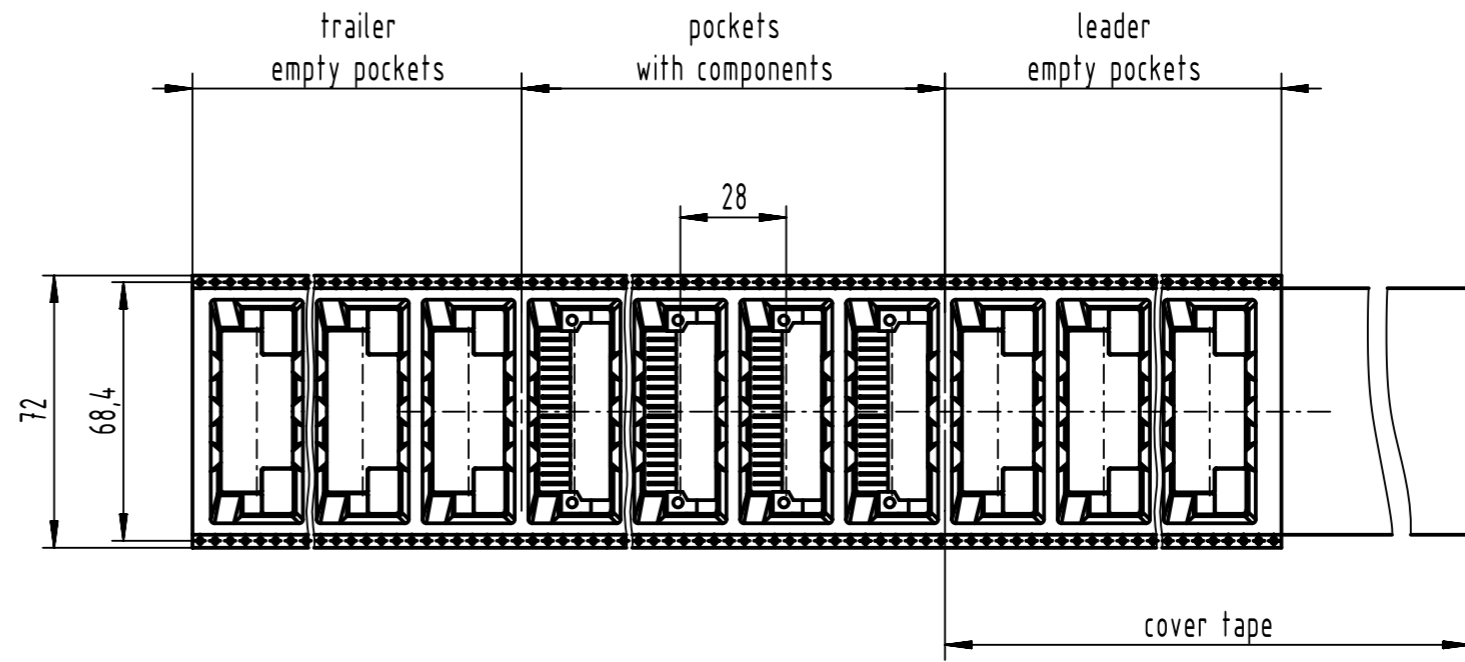
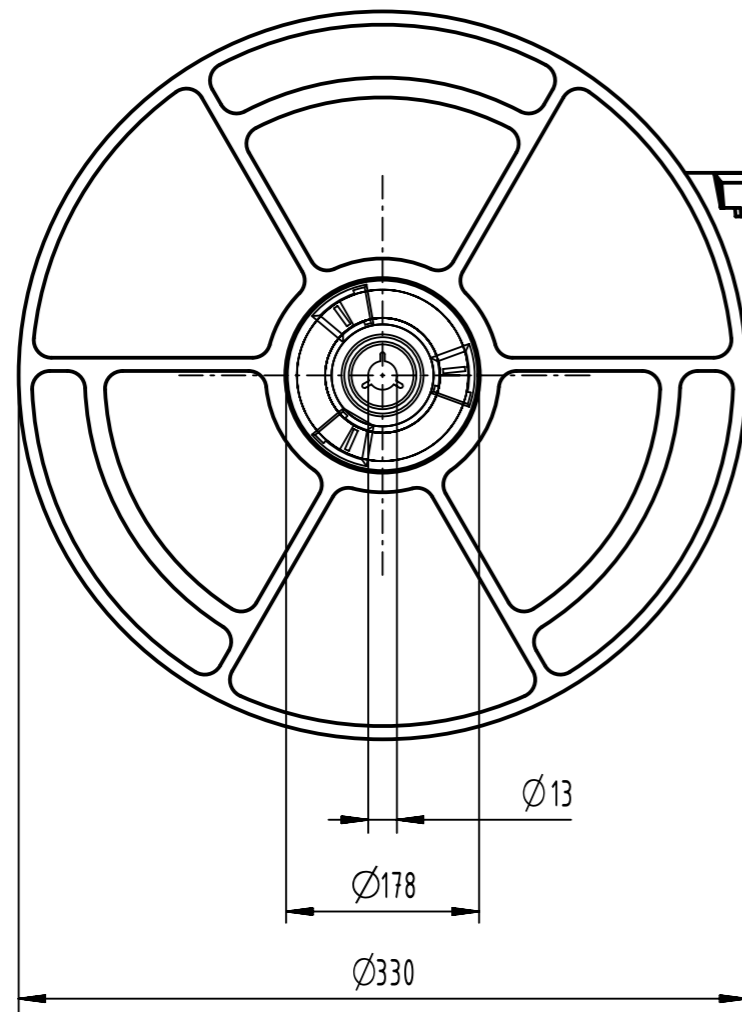



tape and reel information see page 2
further information see product data sheet

09 23 148 6919 791	2
part no.	performance level

	All Dimensions in mm Original Size DIN A3	Scale 1:1	Free size tol. IEC 60603-2	Ref.	
	All rights reserved Department EL PD	Created by STORCK	Inspected by LEHNERT	Standardisation	Date 2021-09-07
HARTING D-32339 Espelkamp	Title DIN Signal type 2C male solder angled THR 48-pole			State Final Release	
	Type TB	Number 0923148X919791	Doc-Key / ECM-Nr. 100072926/UGD/128/D 500000198549		Page 1/2



leading pockets	5
trailing pockets	6
pockets with components	150
cover tape	400mm

 HARTING D-32339 Espelkamp	All rights reserved Department EL PD	All Dimensions in mm Original Size DIN A3		Scale 1:1	Free size tol.	Ref. Sub.
		Created by STORCK	Inspected by LEHNERT	Standardisation	Date 2021-09-07	State Final Release
Title DIN Signal type 2C male solder angled THR 48-pole					Doc-Key / ECM-Nr. 100072926/UGD/128/D 500000198549	
			Type TB	Number 0923148X919791	Rev. D	Page 2/2