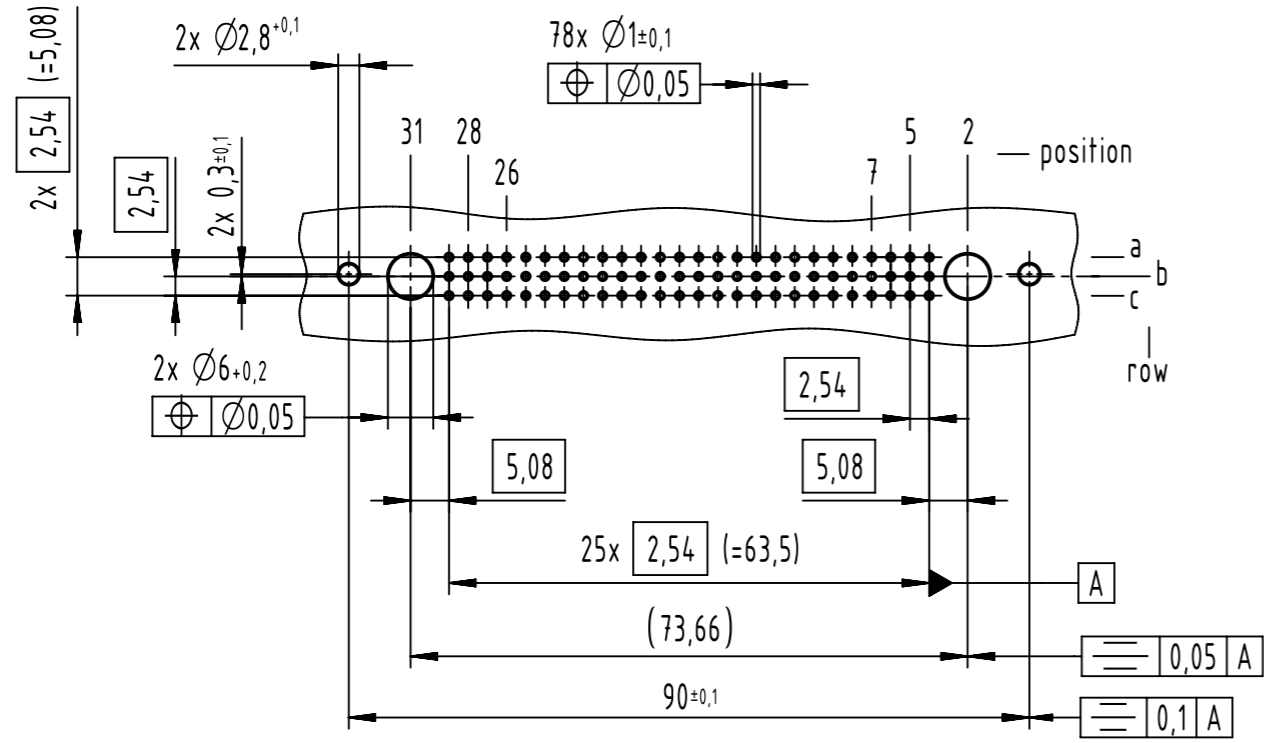
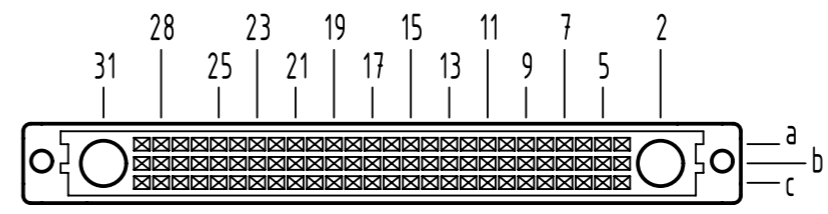


A  
board drillings

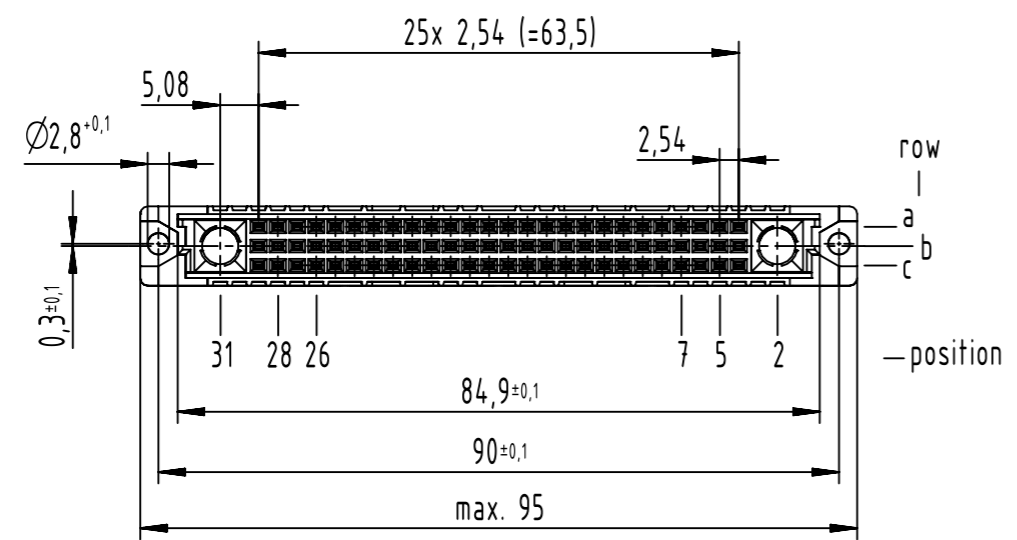
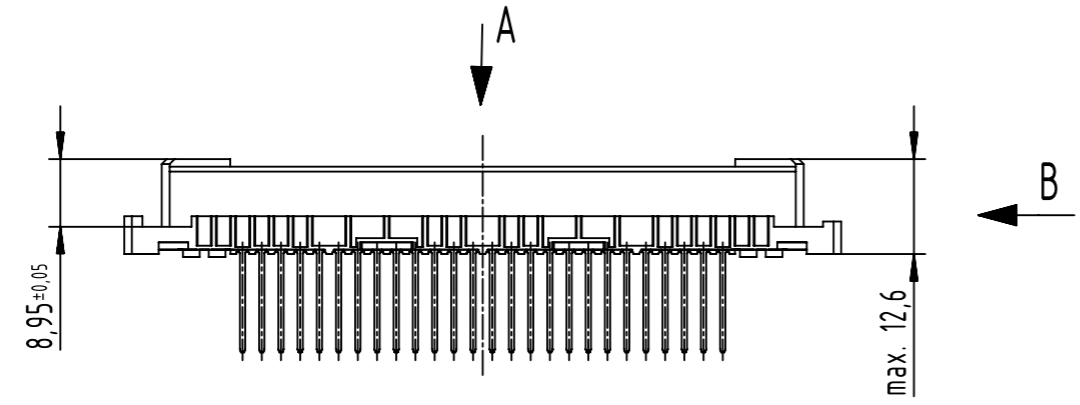
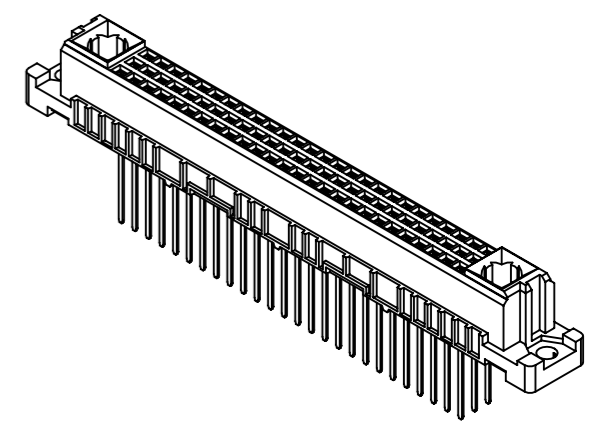
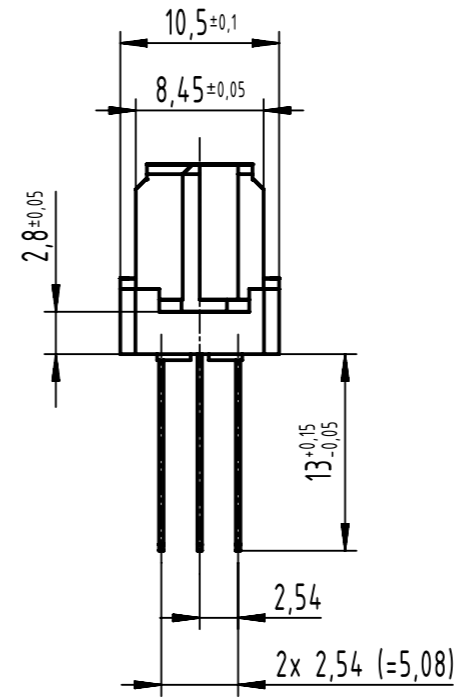


A  
contact arrangement



78 solder contacts  
 ☒ = solder contact  
 □ = position without contact

B (2:1)



further information see product data sheet

09 03 278 6401	2
part no.	performance level

All rights reserved Department EL PD HARTING D-32339 Espelkamp	All Dimensions in mm Original Size DIN A3	Scale 1:1 Free size tol. IEC 60603-2	Ref. Sub.	Created by BUSSMANN T	Inspected by STORCK	Standardisation	Date 2023-09-13	State Final Release
	Title DIN Signal type M78+2 female solder 13.0 78-pole							Doc-Key / ECM-Nr. 100072218/UGD/104/B 500000252308
		Type TB	Number 0903278X401		Rev. B	Page 1/1		