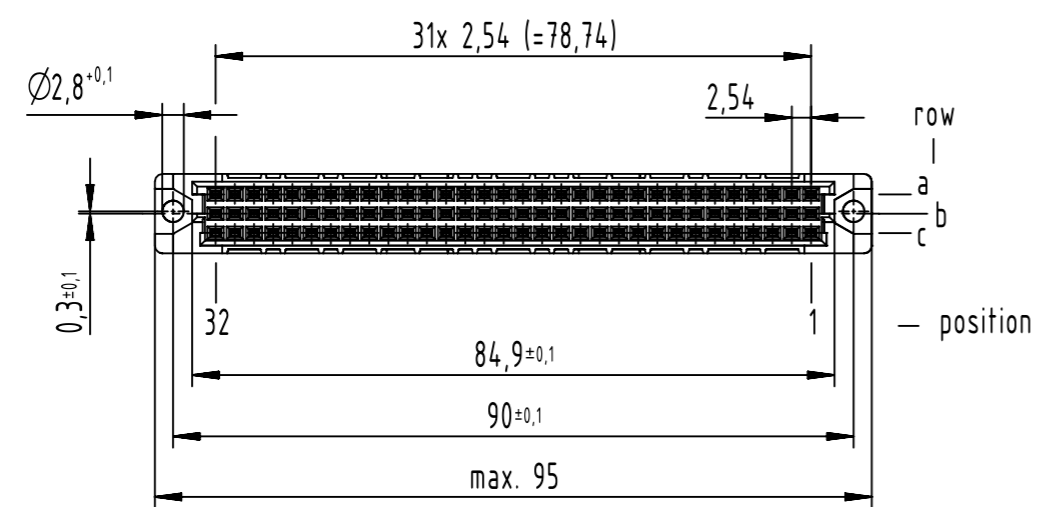
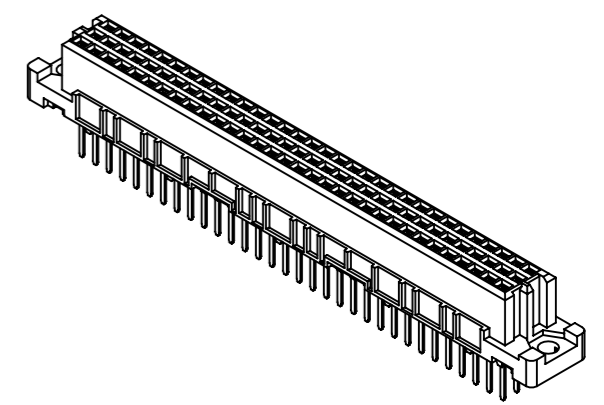
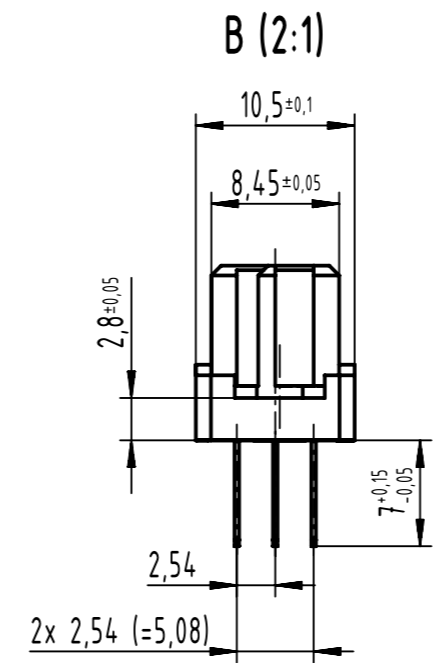
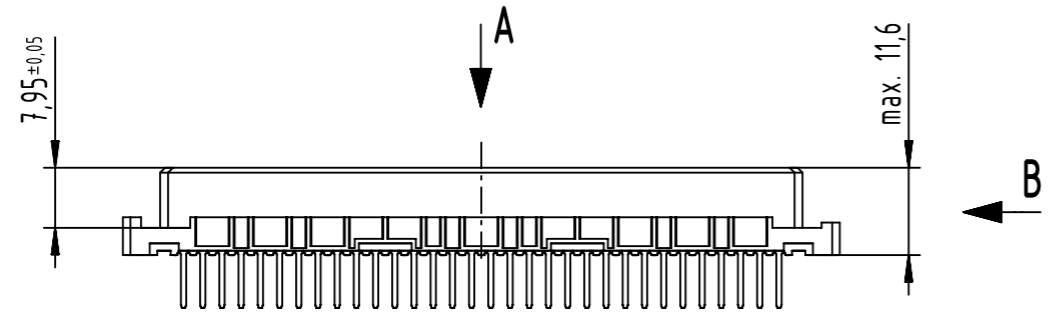


96 solder contacts
 ☒ = solder contact
 □ = position without contact



further information see product data sheet

09 03 296 6876	2
part no.	performance level

All rights reserved Department EL PD HARTING D-32339 Espelkamp	All Dimensions in mm Original Size DIN A3	Scale 1:1 Free size tol. IEC 60603-2	Ref. Sub.	
	Created by STORCK	Inspected by LEHNERT	Standardisation 302077	Date 2021-03-23
Title DIN Signal type C female solder 7.0 CTI>400			Doc-Key / ECM-Nr. 100173852/UGD/256/H 500000191082	
Type TB		Number 0903296X876		
			Rev. H	
			Page 1/1	